

**19" & 23" RELAY RACKS**

- External Size – 84" High x 20" Wide
- Equipment mounting space – 45"U"
- Uprights are Pre-drilled and tapped with 12-24 threads.
- This standard Relay Rack is made from heavy duty extruded Aluminum. It's available in Mill Finish (Natural Aluminum) and Black Color Finish.
- Racks hold patch panels, distribution panels and other electronic and communications equipment.
- Each Rack is packed individually and includes (2) 84 uprights, (2) two base angles with 4 holes for floor mounting.
- Racks meet E.I.A. specifications.

**19" Aluminum Relay Rack**

Complete Set includes: (2) Uprights, (2) Top Cross Bars, and (1) Floor Mount  
Mill Finish (Natural Aluminum)

333 10-00119-843

334 10-00119-846 Black Color Finish

335 55-01156-000 **Mounting Screws 12-24** – Bag of 25 Screws

336 55-01158-000 **Mounting Screws 12-24** – Bag of 50 Screws

**Shelves**

337 14-00710-000 Fixed Cantilever Shelf, 19" Wide, 12" Deep

338 14-00712-000 Fixed Cantilever Shelf, 19" Wide, 15" Deep

**Wire Management**

339 24-09260-000 Horizontal 19" D Wire Loops Panel (1"U")

340 38-00050-000 60" Vertical Cable Raceway – Mounted to side of Upright

**Power Management**

341 24-09270-000 12 Outlet Vertical Strip, 15 Amp, 6' Cord - Mounted to side of Upright

342 24-09276-000 6 Outlets Horizontal 19" Rackmountable Panel, 15 Amp

**23" Aluminum Relay Rack**

Complete Set includes: (2) Uprights, (2) Top Cross Bars, and (1) Floor Mount  
Mill Finish (Natural Aluminum)

343 10-00123-843

344 10-00123-846 Black Color Finish

345 55-01156-000 **Mounting Screws 12-24** – Bag of 25 Screws

346 55-01158-000 **Mounting Screws 12-24** – Bag of 50 Screws

**Shelves**

347 14-00710-000 Fixed Cantilever Shelf, 23" Wide, 12" Deep

348 14-00712-000 Fixed Cantilever Shelf, 23" Wide, 15" Deep

**Wire Management**

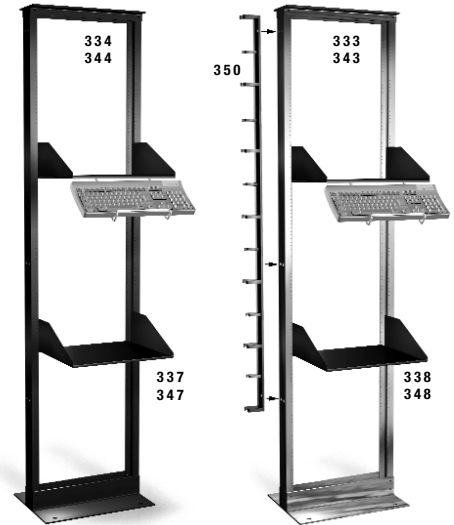
349 24-09260-000 Horizontal 19" D Wire Loops Panel (1"U")

350 38-00050-000 60" Vertical Cable Raceway – Mounted to side of Upright

**Power Management**

351 24-09270-000 12 Outlet Vertical Strip, 15 Amp, 6' Cord - Mounted to side of Upright

352 24-09276-000 6 Outlet Horizontal 19" Rackmountable Panel, 15 Amp



TOP VIEW

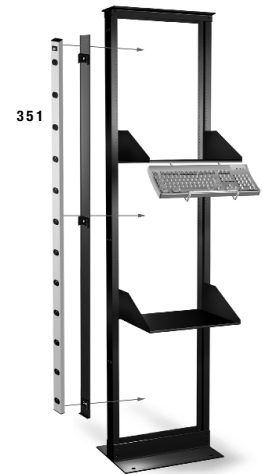
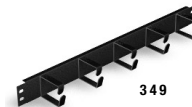
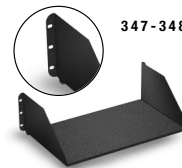


15"

available in  
20-1/4"  
or 24-1/4"

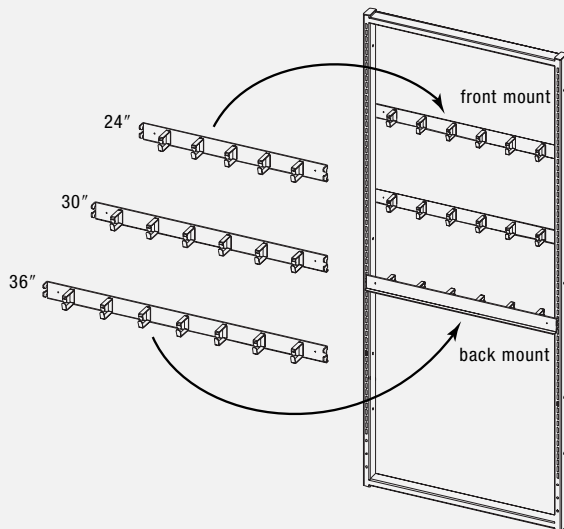


335-336  
345-346



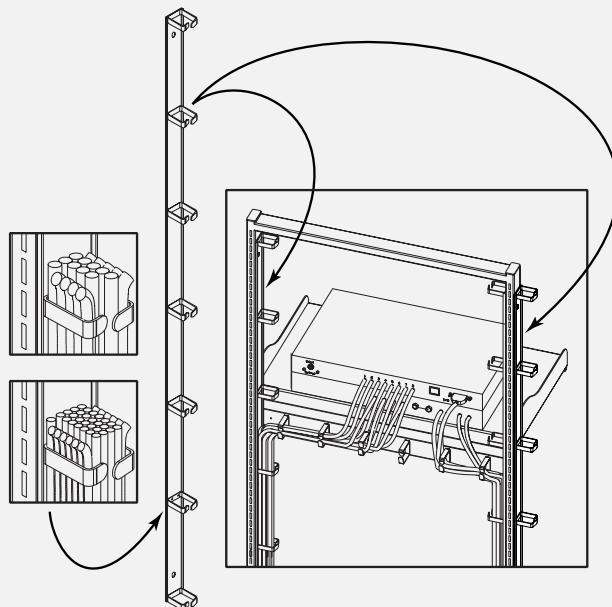
**HERGO'S WIRE MANAGEMENT SOLUTIONS**

- 38-00124-000 24" Long – For 24" Frame
- 38-00130-000 30" Long – For 30" Frame
- 38-00136-000 36" Long – For 36" Frame



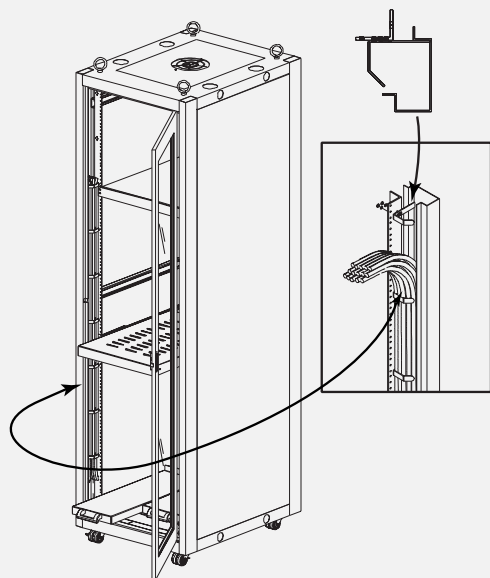
**Horizontal Cable Management Solutions with the Hergo Frames**

- 38-00060-000 60" Long for Hergo 72" and 84" Frame



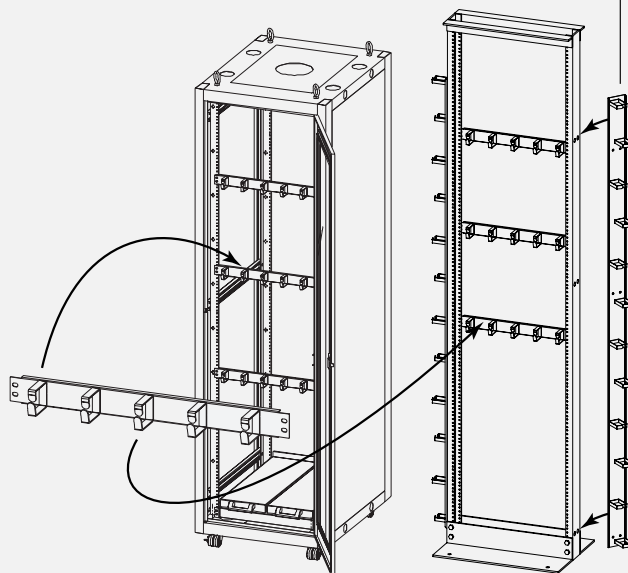
**Vertical Cable Management Solutions with the Hergo Frames**

- 24-09250-000 D-Wire Loops (set of 10) Mounted Horizontally to Each Upright to Each Upright



**Enclosure Concealed Cable Management Solutions Exclusive to Hergo Standard Line of Cabinets & Enclosures**

- 38-00050-000 60" Vertical Cable Raceway – Mounted to side of Upright



- 38-00124-000 24" Long – For 24" Frame
- 38-00130-000 30" Long – For 30" Frame
- 38-00136-000 36" Long – For 36" Frame

**19" Universal Solution for Relay Racks and Cabinets & Enclosures**