

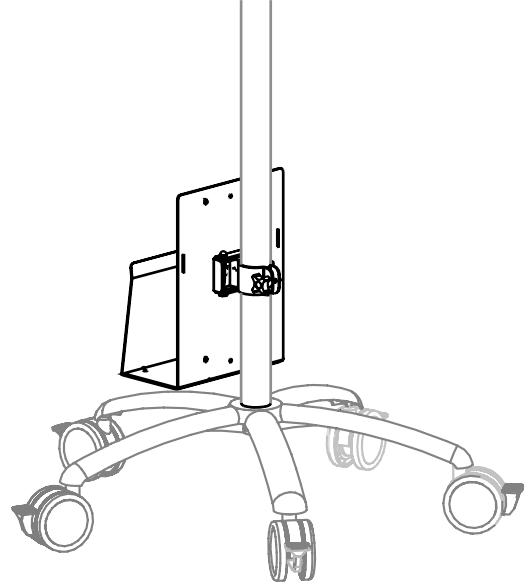


56-01 55TH AVENUE  
 MASPETH, NY 11378  
 888.222.7270  
 www.hergo.com

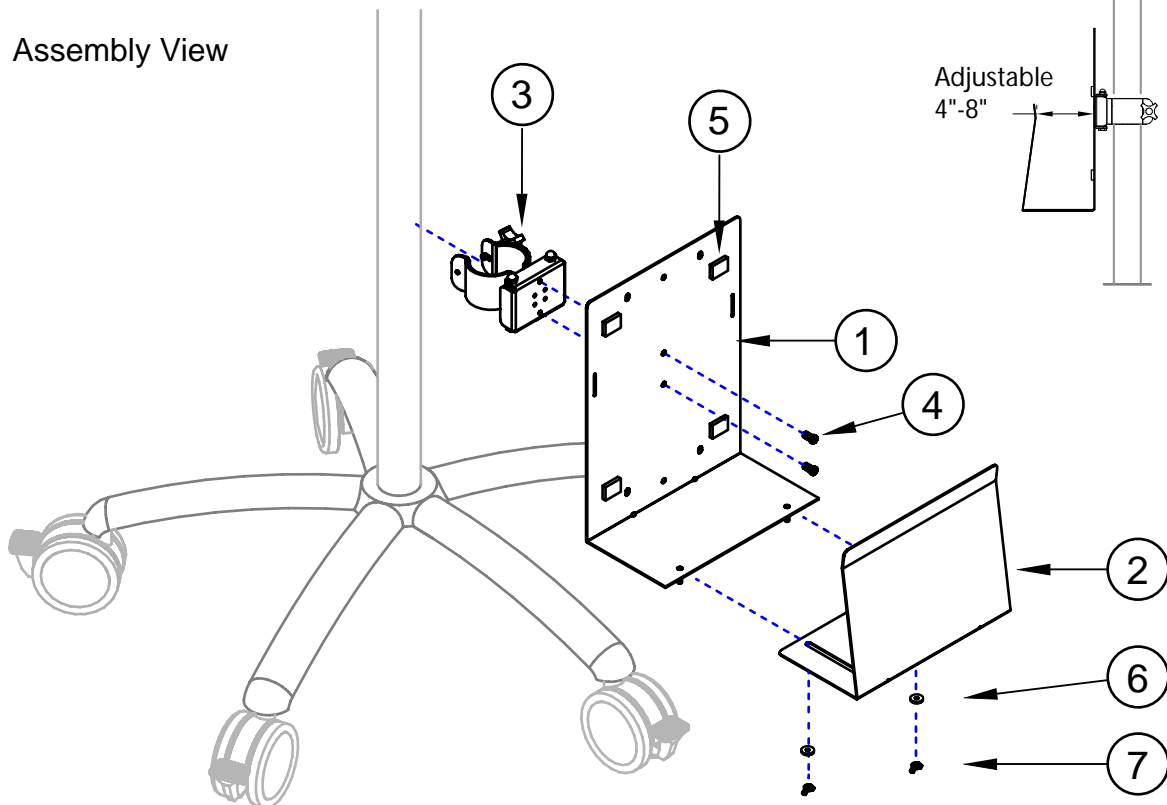
**PN 15-00202-000**

Easy Mount Mobile Cart  
 Adjustable CPU Holder

Item #	Illustration	Part Number & Description	Qty.
1		83-02000-281 Back Fixed Side	1
2		83-02000-280 Front Adjustable Side	1
3		<b>94-00135-000</b> Easy Mount Post Clamp	1
4		83-28001-009 M6 x 8mm Metric Slot Head Machine Screw	2
5		83-02000-285 Foam Pad	4
6		83-28004-005 1/4" Washer	2
7		83-28002-033 1/4-20 Wing Nut	2



Assembly View



UNLESS OTHERWISE SPECIFIED  
 DIMENSIONS ARE IN INCHES  
 TOLERANCES  
 2 PL DECIMALS ± .01  
 3 PL DECIMALS ± .005

NEXT ASS'Y:

DATE: 12/01/04

