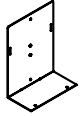






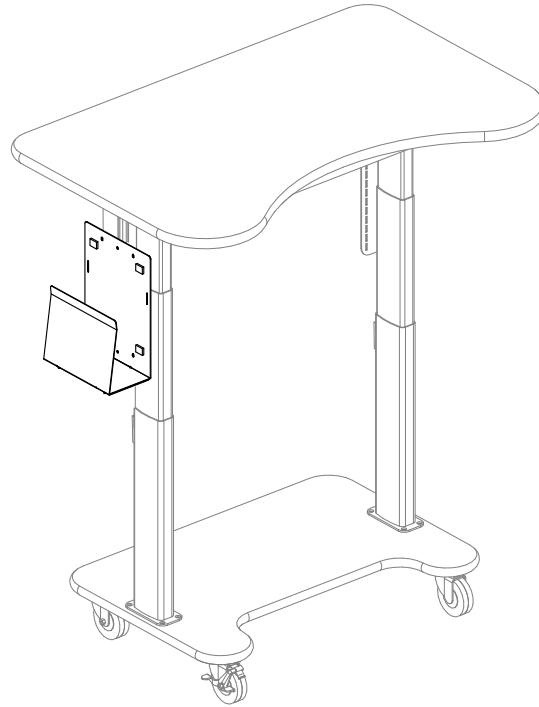
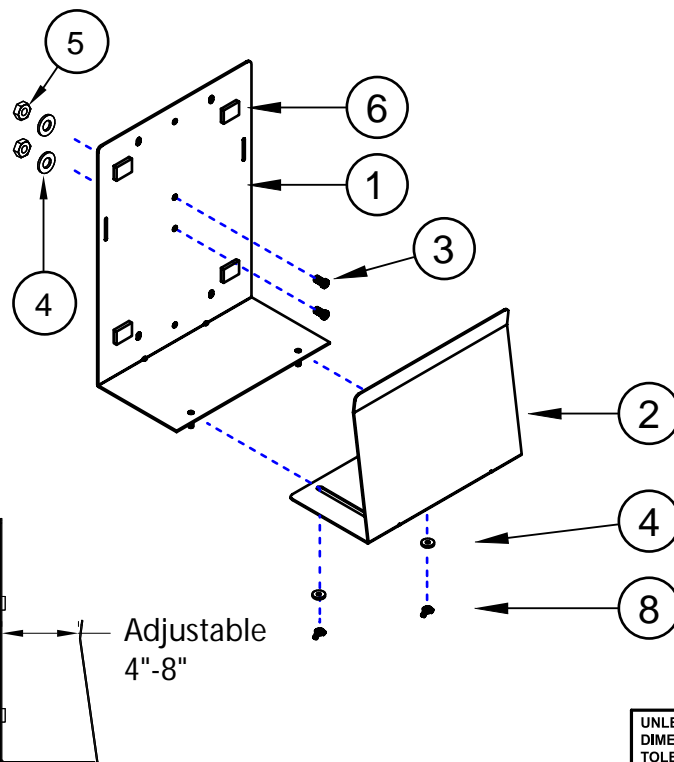


Item #	Illustration	Part Number & Description	Qty.
1		83-02000-281 Back Fixed Side	1
2		83-02000-280 Front Adjustable Side	1
3		83-28001-033 1/4-20 x 3/4 Philips HD	2
4		83-28004-005 1/4" Washer	4
5		83-28002-045 1/4-20 Hex Nut	2
6		83-02000-285 Foam Pad	4
7		83-28002-033 1/4-20 Wing Nut	2



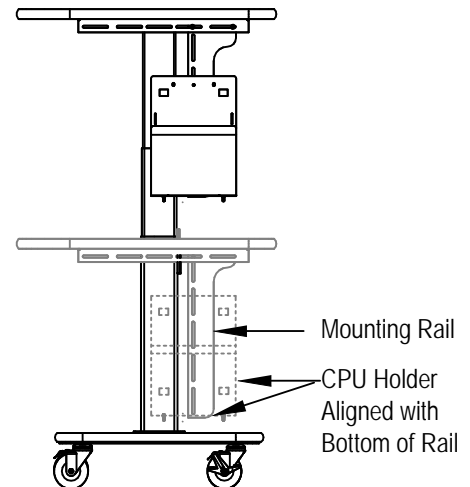
Assembly View



IMPORTANT NOTE:

When mounting CPU Holder to Rail make sure the bottom of the CPU Holder does not extend beyond the bottom of the Rail.
 This will prevent the CPU Holder from colliding with the base when the unit is in it's lowest position.

maximum height for CPU is 18"



UNLESS OTHERWISE SPECIFIED
 DIMENSIONS ARE IN INCHES
 TOLERANCES
 2 PL DECIMALS ± .01
 3 PL DECIMALS ± .005

NEXT ASS'Y:

DATE: 03/02/09