



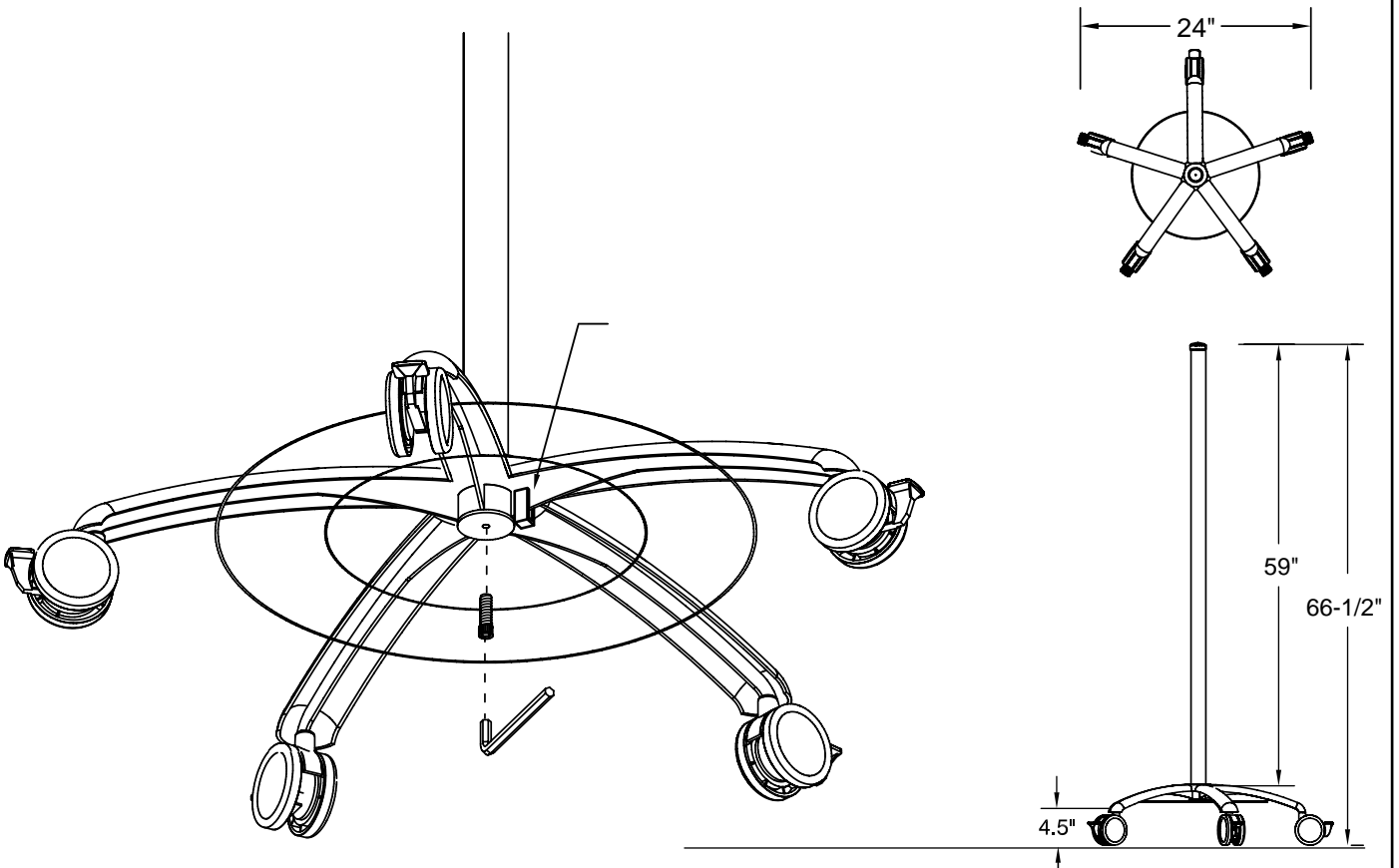
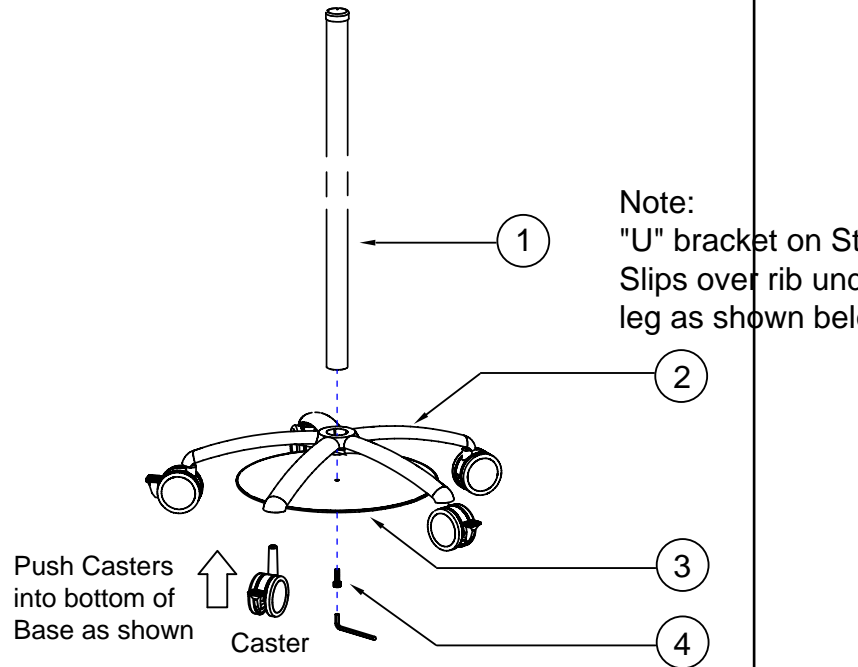


| Item # | Illustration | Part Number & Description | Qty. |
|--------|---|---|------|
| 1 |  | 94-00142-000 60" Post with Tapered End | 1 |
| 2 |  | 94-00127-004 Base with 3 Lockable Casters | 1 |
| 3 |  | 15-00202-019 Circular Base Stabilizer | 1 |
| 4 |  | M8 x 45mm Socket Head 83-28001-019 | 1 |



UNLESS OTHERWISE SPECIFIED
 DIMENSIONS ARE IN INCHES
 TOLERANCES
 2 PL DECIMALS ± .01
 3 PL DECIMALS ± .005

NEXT ASS'Y:

DATE: