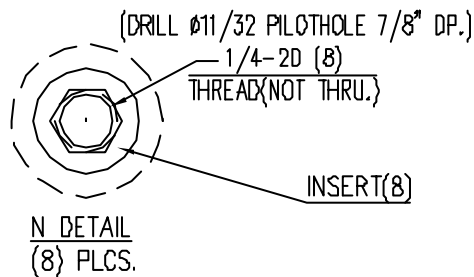
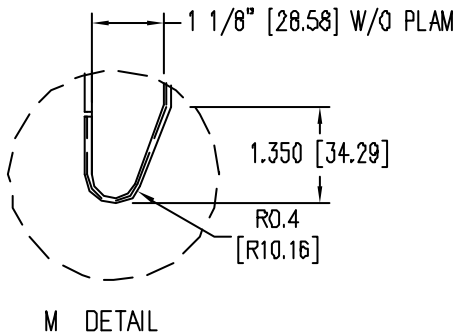
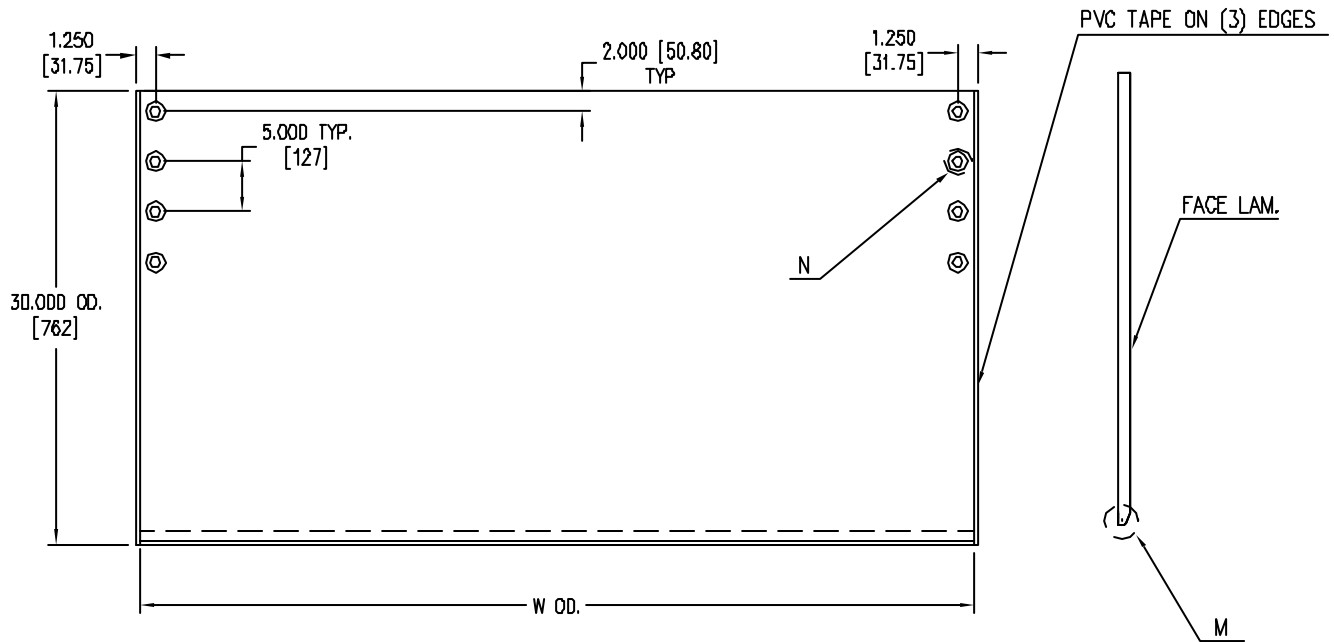


Wilson Art Grey Nebula
 High Pressure Laminate



UNLESS OTHERWISE SPECIFIED
 DIMENSIONS ARE IN INCHES
 TOLERANCES
 2 PL DECIMALS $\pm .01$
 3 PL DECIMALS $\pm .005$

NEXT ASS'Y:

DATE: