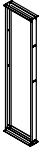





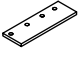



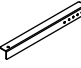
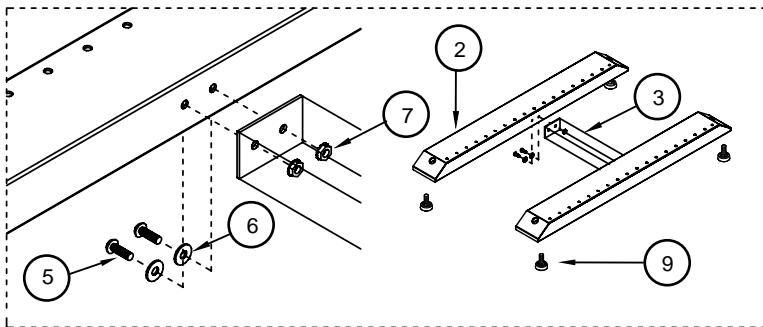
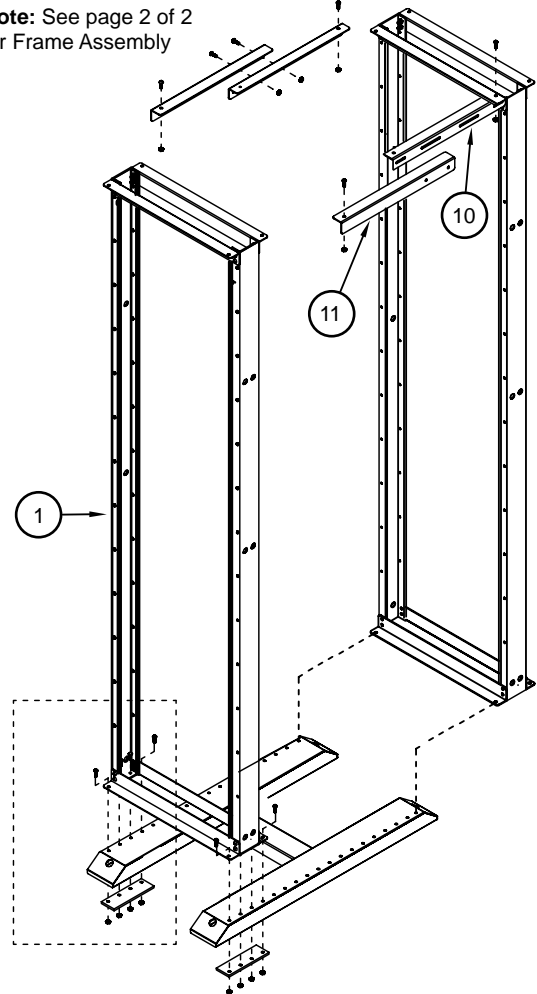


Item #	Illustration	Part Number	Qty.	Extra	Item #	Illustration	Part Number	Qty.	Extra
1		10-00126-084 Super Relay Rack Frame Kit	2		6		83-28004-005 1/4" Washer-Zinc Plated	4	4
2		82-04040-760 Super Relay Rack 30" Leg	2		7		83-28002-005 Kep Nuts-1/4-20	24	4
3		82-04040-730 Leg Stretcher for 19" Super Relay Rack	1		8		83-28003-015 1/4-20 x 3/4" Steel Carriage Bolt Black Oxide	8	4
4		82-04040-705 Reinforcement Plate for Uprights	2		9		28-00110-000 Glider	4	
5		83-28001-034 1/4-20 x 5/8" Button Head Socket Cap Screw-Steel	16	4	10		82-04040-795 Extender, Inner Angle	2	
					11		82-04040-790 Extender, Outer Angle	2	

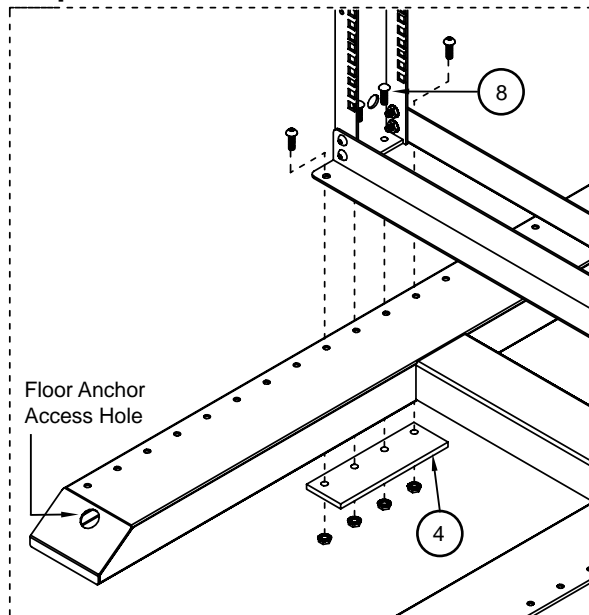
Step 1. Assemble Base



Note: See page 2 of 2 for Frame Assembly







Step 2. Mount Frames to Base

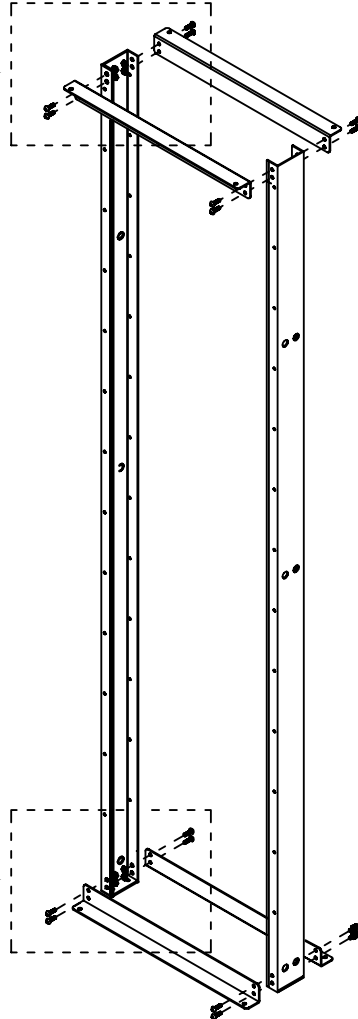
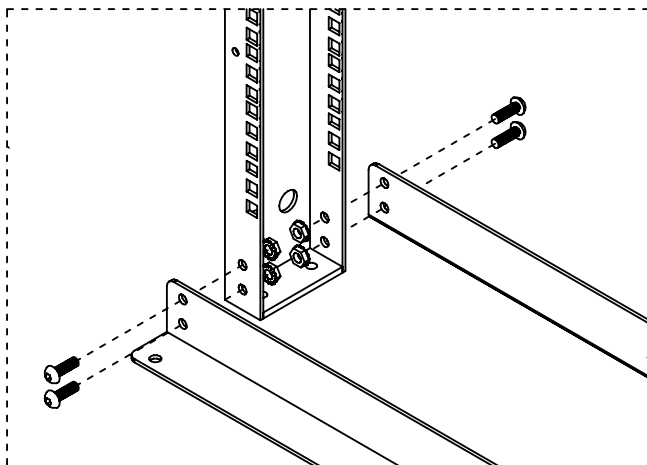
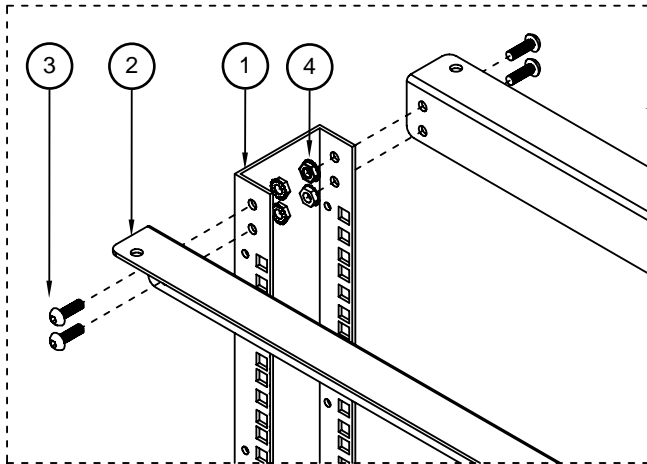
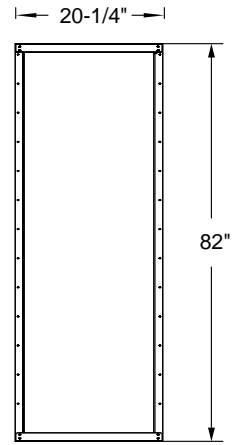
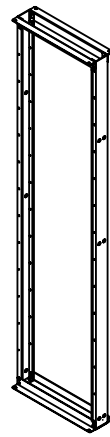


UNLESS OTHERWISE SPECIFIED
 DIMENSIONS ARE IN INCHES
 TOLERANCES
 2 PL DECIMALS ± .01
 3 PL DECIMALS ± .005

NEXT ASS'Y:

DATE: 08/10/06

Item #	Illustration	Part Number	Qty.
1		82-04040-700 Upright for Super Relay Rack	2
2		82-04040-710 Uprights Stretcher for 19" Super Relay Rack	4
3		83-28001-034 1/4-20 x 5/8" Button Head Socket Cap Screw-Steel	16
4		83-28002-005 Kep Nuts 1/4-20	16



UNLESS OTHERWISE SPECIFIED
 DIMENSIONS ARE IN INCHES
 TOLERANCES
 2 PL DECIMALS ± .01
 3 PL DECIMALS ± .005

NEXT ASS'Y:

DATE: 08/10/06