

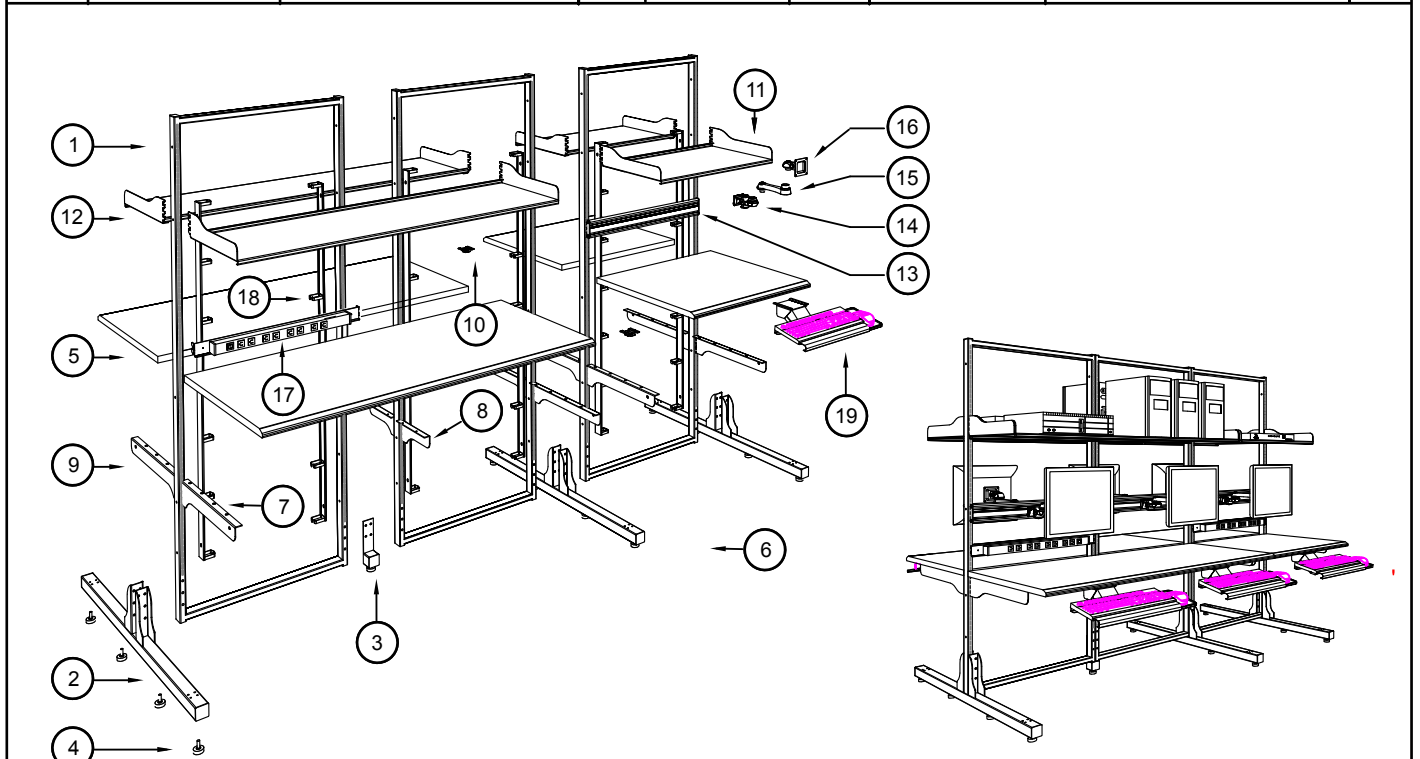


56-01 55TH AVENUE  
 MASPETH, NY 11378  
 888.222.7270  
 www.hergo.com

**HERGO 90/90 Workstation**  
**72"H x 90"W Double-Sided**  
**95-H9090-000**

Item #	Illustration	Part Number	Qty.
1		<b>10-00072-300</b> Frame 72"H x 30"W	3
2		<b>11-00014-000</b> Leg - Double Sided, 2" x 2" x 52"L	3
3		<b>11-00018-000</b> Center Support Leg	1
4		<b>28-00110-000</b> Glider	13
5		<b>13-00030-600</b> Desktop 60" x 30"	2
6		<b>13-00030-300</b> Desktop 30" x 30"	2
7		<b>13-00810-000</b> Desktop Bracket Left	4
8		<b>13-00812-000</b> Desktop Bracket Right	4
9		<b>13-00820-000</b> Desktop Bracket Center	2

Item #	Illustration	Part Number	Qty.
10		<b>13-00825-000</b> Desktop Joint Leveler	2
11		<b>14-00030-000</b> 30"W Mounting Shelf	2
12		<b>14-00060-000</b> 60"W Mounting Shelf	2
13		<b>15-HE501-230</b> 30"W Mounting Track with Brackets	6
14		<b>15-HE514-056</b> Track Connection Mount	6
15		<b>15-HE512-000</b> 7" Extender Arm	6
16		<b>15-HE511-000</b> Universal Joint LCD Mount Includes 100mm Mounting Plate (15-00090-100)	6
17		<b>46-00054-630</b> 8 Port Power Strip, 15' Cord	4
18		<b>38-00060-000</b> Vertical Cable Raceway 60"L for 72" & 84" Frames	6
19		<b>25-00110-000</b> Under Desk Keyboard Tray with Mouse Plate	6



NEXT ASS'Y:	<b>hergo</b>
DATE:	