

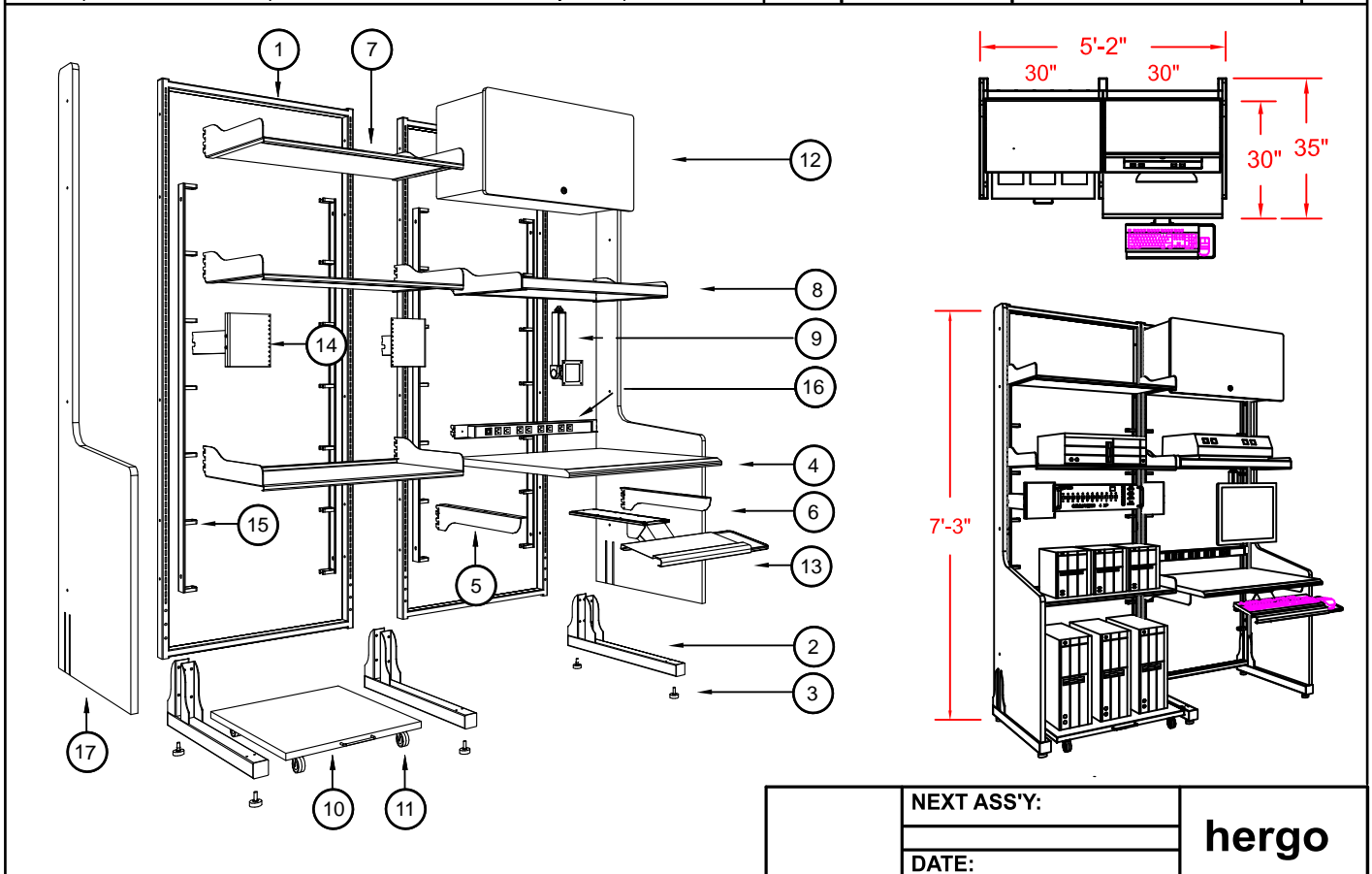


56-01 55TH AVENUE
 MASPETH, NY 11378
 888.222.7270
 www.hergo.com

Open Racking System ROME
95-ROMEO-000

Item #	Illustration	Part Number	Qty.
1		10-00084-300 Frame 84"H x 30"W	2
2		11-00010-000 Leg 2" x 2" x 30"	3
3		28-00110-000 Glider	6
4		13-00030-300 Desktop 30"W x 30"D	1
5		13-00810-000 Desktop Bracket Left	1
6		13-00812-000 Desktop Bracket Right	1
7		14-00030-000 Mounting Shelf 30"W x 18.5"D	3
8		14-00230-000 30" Monitor Track Shelf	1
9		14-00300-003 LCD Suspension Arm	1

Item #	Illustration	Part Number	Qty.
10		14-00500-300 Floor Shelf 30"W x 25"D	1
11		14-00500-950 Pull-out Shelf Kit	1
12		16-00030-000 Storage Compartment	1
13		25-00110-000 Under Desk Keyboard Tray with Mouse Plate	1
14		20-00307-100 7"H x 12"D RM Brackets	1
15		38-00060-000 Vertical Cable Raceway 60"L for 72" & 84" Frames	4
16		46-00054-630 8 Port Power Strip, 15' Cord	1
17		18-00084-120 Desk End Panel 84"H, 6.5"W x 30"W	2



NEXT ASS'Y:
DATE:

hergo