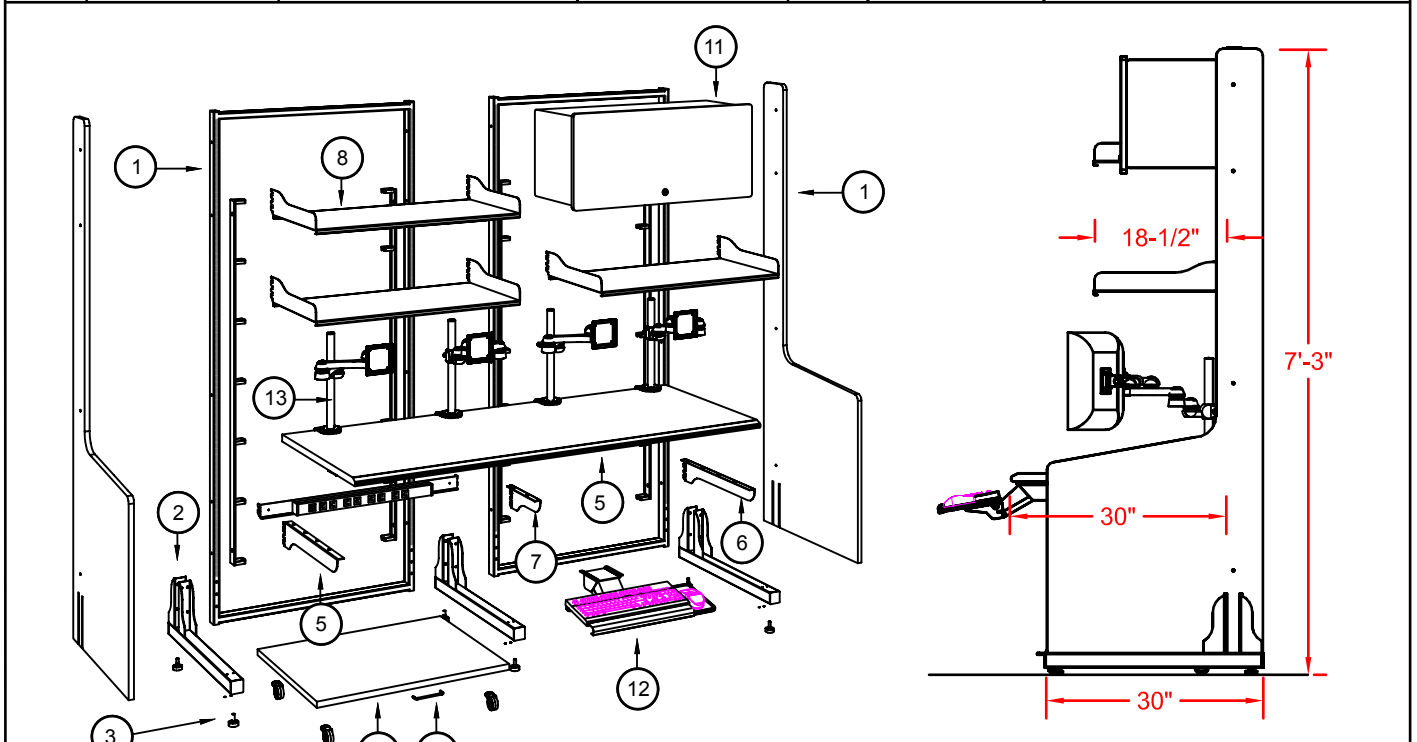




56-01 55TH AVENUE
 MASPETH, NY 11378
 888.222.7270
 www.hergo.com

84"H Double Frame Workstation 95-SANFR-AN0

Item #	Illustration	Part Number	Qty.	Item #	Illustration	Part Number	Qty.
1		10-00084-360 Frame 84"H x 36"W	2	10		14-00500-950 Pull-out Shelf Kit	1
2		11-00010-000 Leg 2" x 2" x 30"	3	11		16-00036-000 36" Storage Compartment	1
3		28-00110-000 Glider	6	12		25-00110-000 Keyboard/Mouse Tray	1
4		13-00030-720 Desktop 72"W x 30"D	1	13		95-HE502-045 Orbiter - Desk Clamp with 14" Extension Arm	4
5		13-00810-000 Desktop Bracket Left	1	14		46-00058-836 8 Port Power Strip, 15' Cord	1
6		13-00812-000 Desktop Bracket Right	1	15		38-00060-000 Vertical Cable Raceway 60"L for 72" & 84" Frames	4
7		13-00820-000 Desktop Bracket Center	1	16		18-00084-120 Desk End Panel 84"H, 6.5"W x 30"W	2
8		14-00036-000 Mounting Shelf 36"W x 18.5"D	3				
9		14-00500-360 Floor Shelf 36"W x 25"D	1				



NEXT ASS'Y:	hergo
DATE:	