



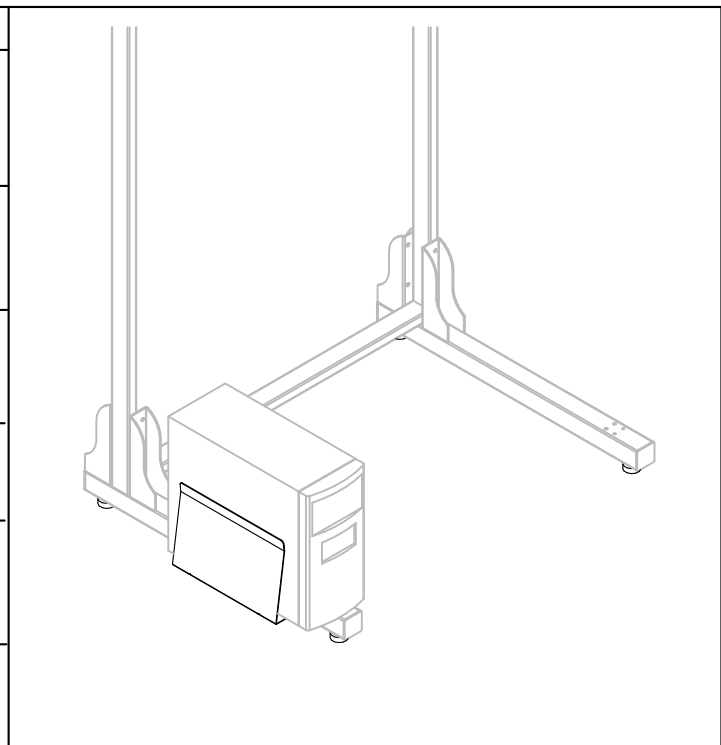
**Ergonomic Support Systems, Inc.**

3530 Lawson Blvd Oceanside, NY 11572  
Tel. 888.222.7270

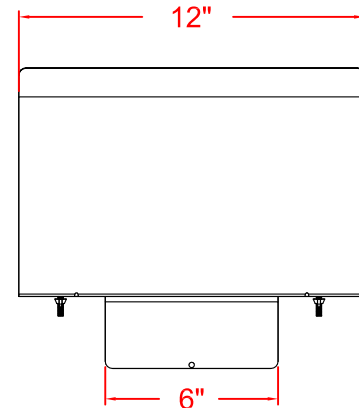
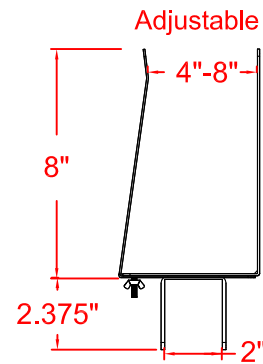
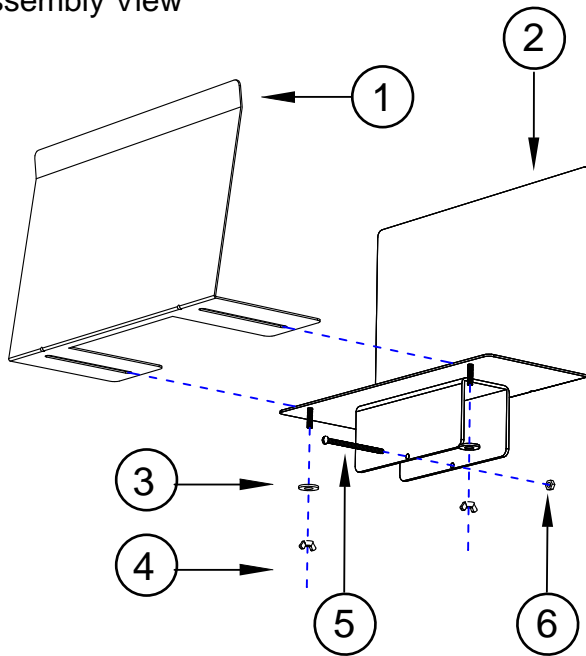
**PN 14-00835-000**

**Heavy Duty Leg Mounted  
CPU Holder - Adjustable**

Item #	Illustration	Part Number & Description	Qty.
1		82-02002-055 CPU Cradle Adjustable Side	1
2		82-02002-055 CPU Cradle L Base w/Bracket & Studs	1
3		83-28004-005 1/4" Washer	2
4		83-28002-033 1/4-20 Wing Nut	2
5		83-28001-053 8/32 x 2-3/4" SH RD Machine Screw	1
6		83-28002-058 8/32 Hex Nut	1



**Assembly View**

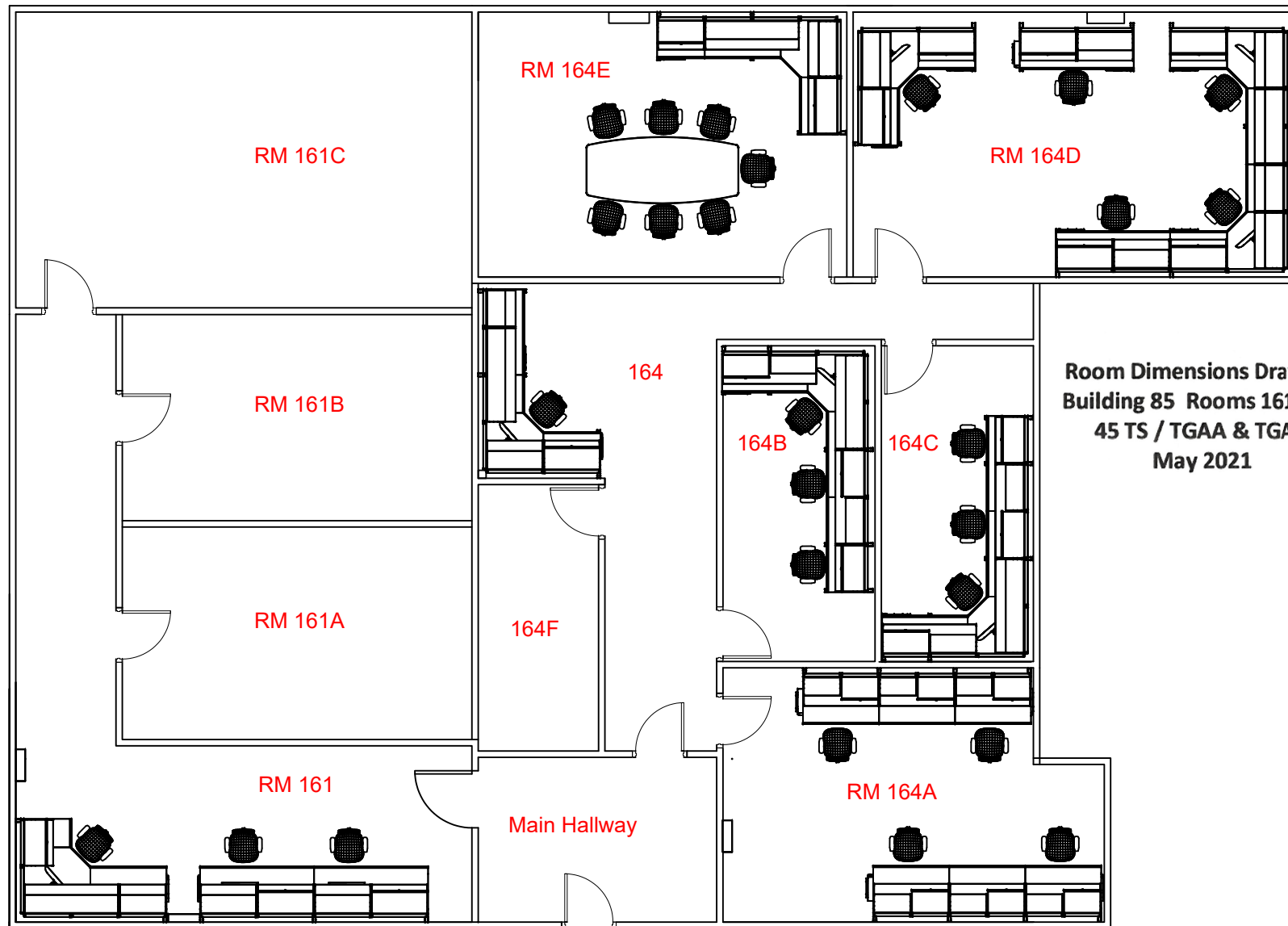


UNLESS OTHERWISE SPECIFIED  
DIMENSIONS ARE IN INCHES  
TOLERANCES  
2 PL DECIMALS ± .01  
3 PL DECIMALS ± .005

NEXT ASS'Y:

DATE:





Room Dimensions Drawing  
Building 85 Rooms 161-164  
45 TS / TGAA & TGAC  
May 2021