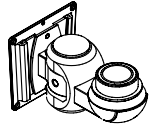
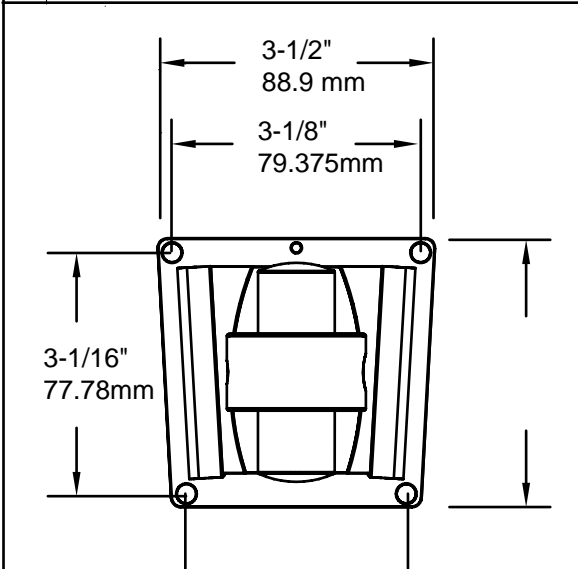
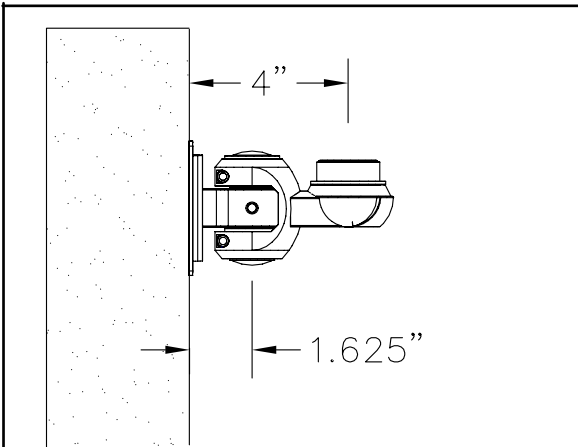
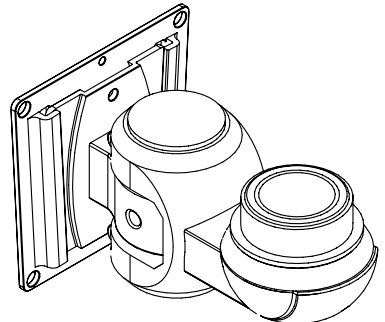
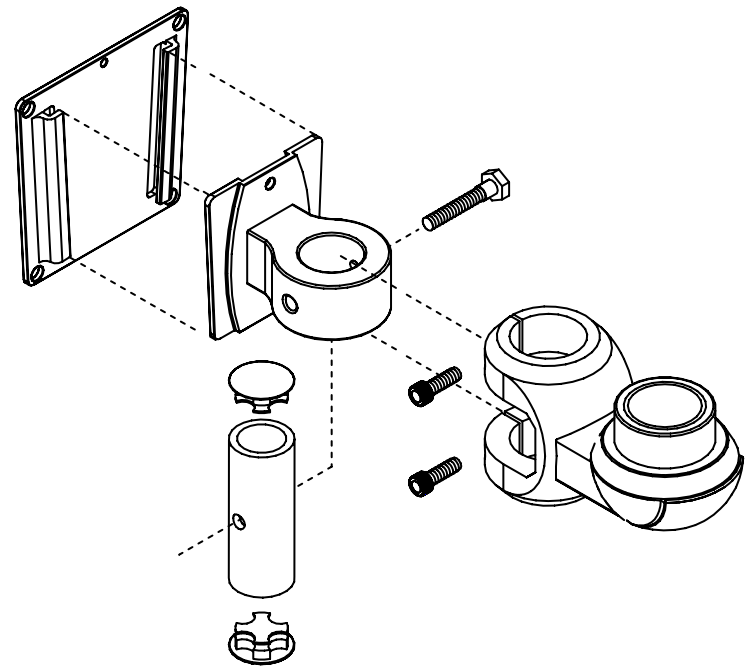



Item #	Illustration	Part Number & Description	Qty.
1		<p>LA-55 15-HE514-055 Orbiter Wall Mount</p>	1



Assembly View (ships Assembled)



<p>UNLESS OTHERWISE SPECIFIED DIMENSIONS ARE IN INCHES TOLERANCES 2 PL DECIMALS ± .01 3 PL DECIMALS ± .005</p>	<p>NEXT ASS'Y:</p>	
<p>DATE:</p>		