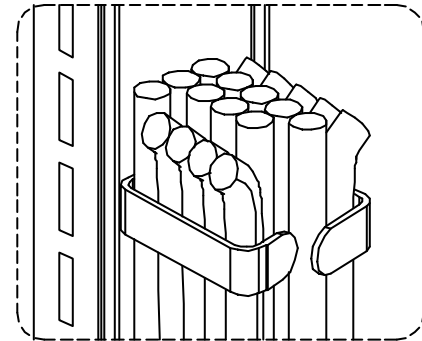


DETAIL - A

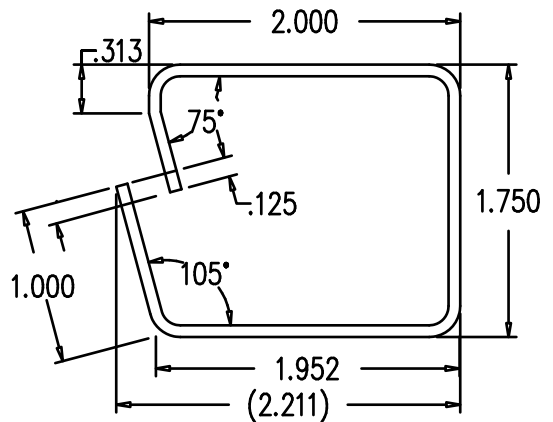
(CONTAIN AS MANY AS
41 x $\phi 1/4$ CABLES)



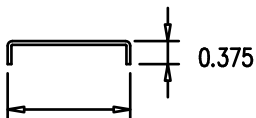
DETAIL - A

(CONTAIN AS MANY AS
19 x $\phi 3/8$ CABLES)

Loop Detail (14 GA.)



Channel
16 GA CRS



1.945 OD.

UNLESS OTHERWISE SPECIFIED
DIMENSIONS ARE IN INCHES
TOLERANCES
2 PL DECIMALS $\pm .01$
3 PL DECIMALS $\pm .005$

NEXT ASS'Y:

DATE: