
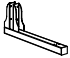





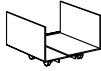

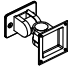


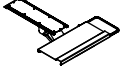

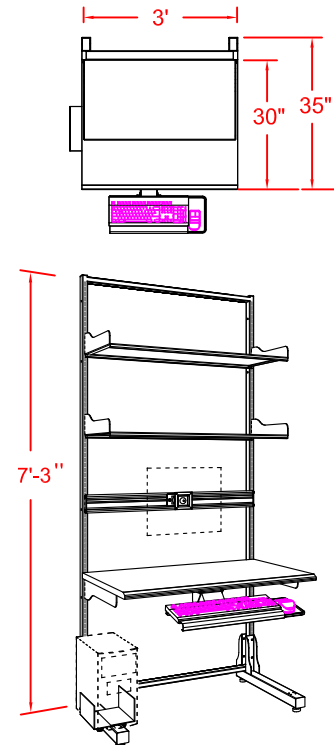
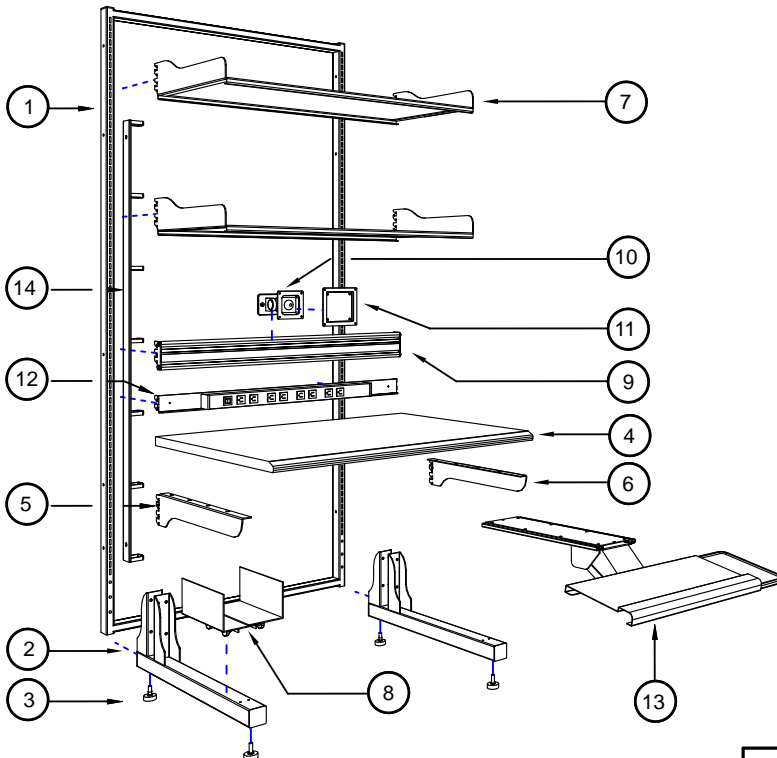


Item #	Illustration	Part Number	Qty.
1		<b>10-00084-360</b> Frame 84"H x 36"W	1
2		<b>11-00010-000</b> Leg 2" x 2" x 30"	2
3		<b>28-00110-000</b> Glider	4
4		<b>13-00030-360</b> Desktop 36"W x 30"D	1
5		<b>13-00810-000</b> Desktop Bracket Left	1
6		<b>13-00812-000</b> Desktop Bracket Right	1
7		<b>14-00036-000</b> Mounting Shelf 36"W x 18.5"D	2

Item #	Illustration	Part Number	Qty.
8		<b>14-00830-000</b> CPU Cradle Leg Mounted	1
9		<b>15-HE501-236</b> 36" W Track w/Brackets	1
10		<b>LA-17P</b> 15-00048-17P Monitor Track Mount Arm	1
11		<b>100 MM PLATE</b> 15-00090-100 LCD 100mm Plate Adapter	1
12		<b>46-00058-836</b> 8 Port Power Strip, 15' Cord	1
13		<b>25-00110-000</b> Under Desk Keyboard Tray with Mouse Plate	1
14		<b>38-00060-000</b> Vertical Cable Raceway 60"L for 72" & 84" Frames	1



	NEXT ASS'Y:	<b>hergo</b>
	DATE:	