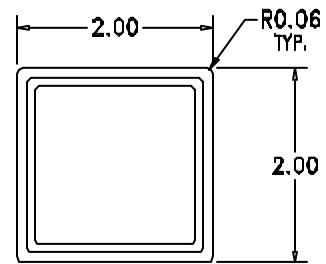
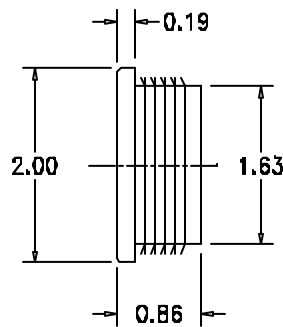
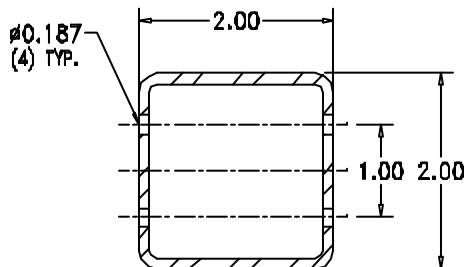
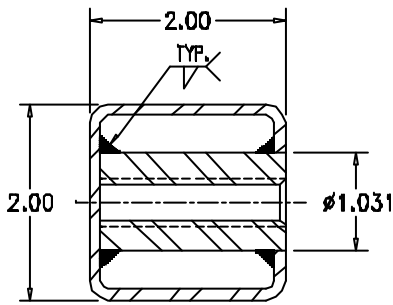


**LEG BOTTOM VIEW**



**DETAIL OF PLASTIC END CAP**

UNLESS OTHERWISE SPECIFIED  
 DIMENSIONS ARE IN INCHES  
 TOLERANCES  
 2 PL DECIMALS  $\pm .01$   
 3 PL DECIMALS  $\pm .005$

NEXT ASS'Y:

DATE: