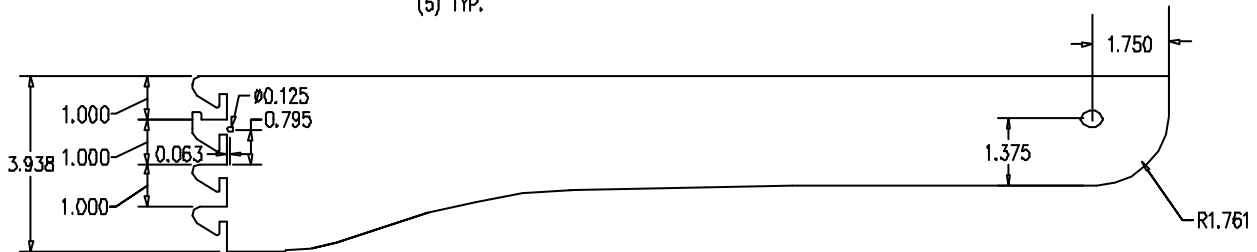
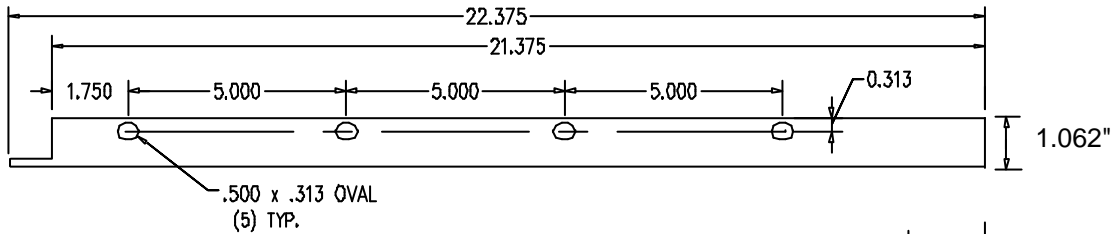
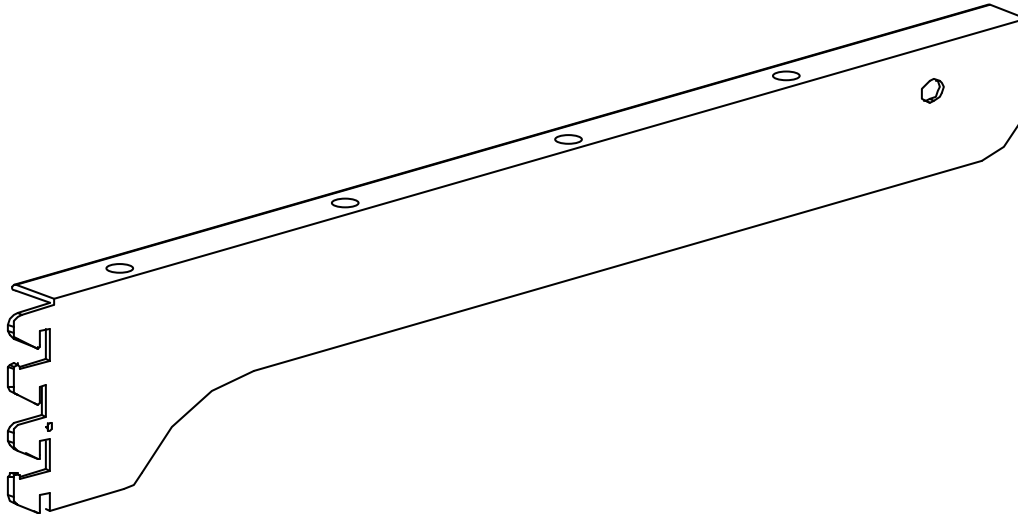


**11 Gauge Heavy Duty Left Side Desktop Support Bracket**

Designed to Mount into the Vertical Slots on Hergo's Soltted Frames



UNLESS OTHERWISE SPECIFIED  
 DIMENSIONS ARE IN INCHES  
 TOLERANCES  
 2 PL DECIMALS ± .01  
 3 PL DECIMALS ± .005

NEXT ASS'Y:

DATE: