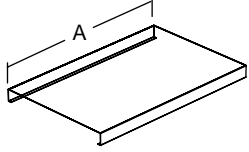

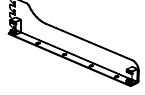
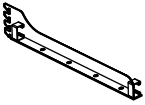

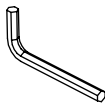
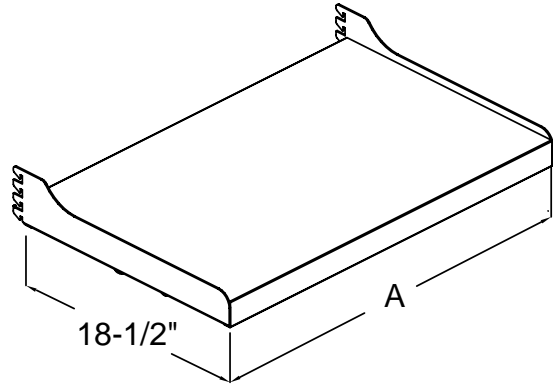


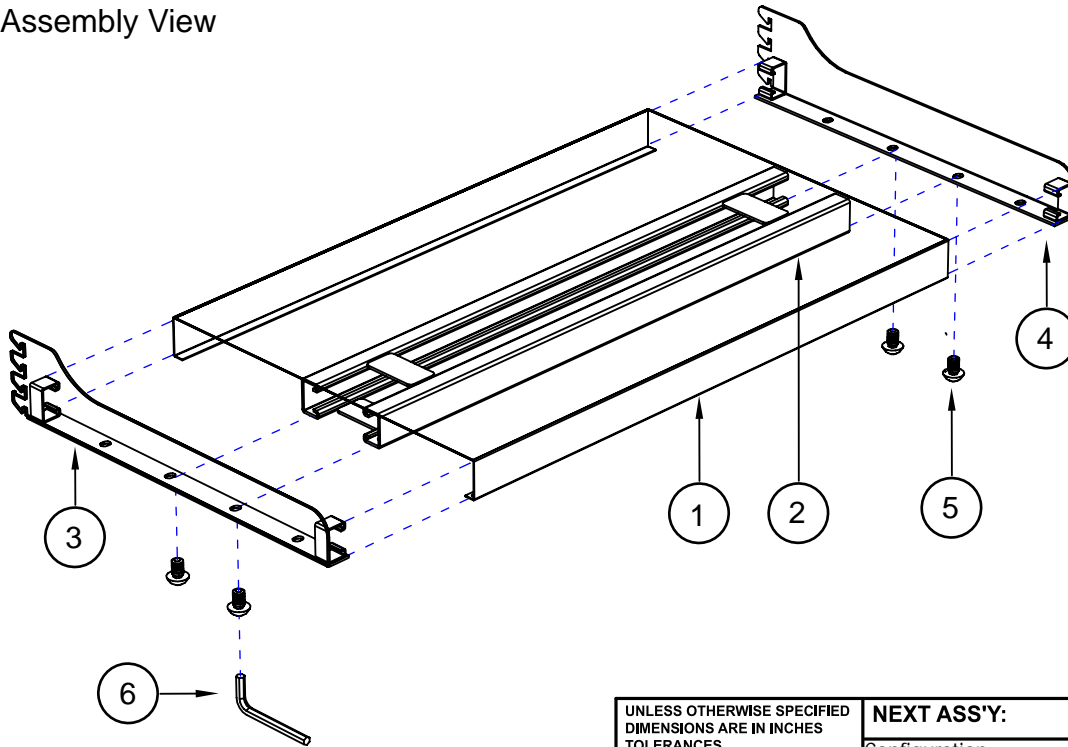
# Monitor Track Shelves

Item #	Illustration	Part Number & Description	QTY,
1		Dim. A Shelf Plate 24" 82-01428-024 30" 82-01428-030 36" 82-01428-036 48" 82-01428-048 60" 82-01428-060	1
2		82-03020-620 Track Assembly	1
3		82-02000-600 Shelf Bracket Right Hand	1
4		82-02000-605 Shelf Bracket Left Hand	1
5		83-28001-080 5/16-24 x 5/8" Button Head Allen Screw	4
6		83-62001-023 3/16" Allen Key	1



A =	Size	Product #
	24	14-00224-000
	30"	14-00230-000
	36"	14-00236-000
	48"	14-00248-000
	60"	14-00260-000

## Assembly View



UNLESS OTHERWISE SPECIFIED  
 DIMENSIONS ARE IN INCHES  
 TOLERANCES  
 2 PL DECIMALS ± .01  
 3 PL DECIMALS ± .005

NEXT ASS'Y:

Configuration

DATE: