

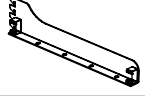
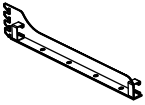

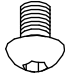
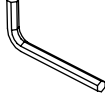
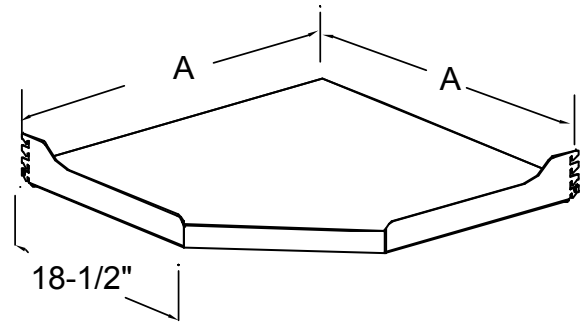
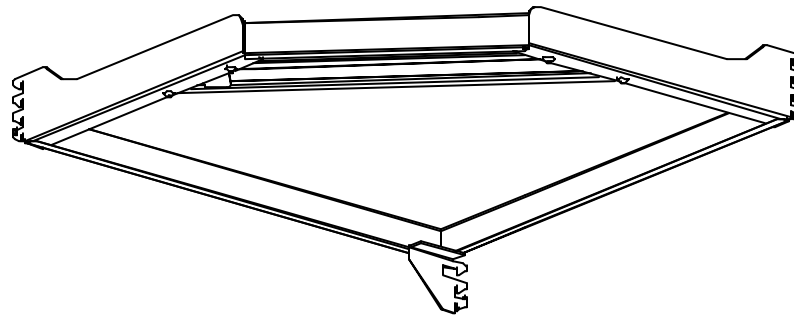


Corner Monitor Track Shelves

| Item # | Illustration | Part Number & Description | QTY, |
|--------|---|---|------|
| 1 |  | Dim. A Shelf Plate | |
| | | 24" 82-01428-065 | 1 |
| | | 30" 82-01428-070 | 1 |
| 2 |  | 24" 82-03020-670 | 1 |
| | | 30" 82-03020-675 | |
| | | Track Assembly | |
| 3 |  | 82-02000-600 Shelf Bracket Right Hand | 1 |
| 4 |  | 82-02000-605 Shelf Bracket Left Hand | 1 |
| 5 |  | 82-020000-608 Shelf Corner Bracket | |
| 6 |  | 83-28001-080 5/16-24 x 5/8" Button Head Allen Screw | 4 |
| 7 |  | 83-62001-023 3/16" Allen Key | 1 |



| | | |
|------------|------|--------------|
| | Size | Product # |
| A = | 24 | 14-00420-240 |
| | 30" | 14-00420-300 |



UNLESS OTHERWISE SPECIFIED
 DIMENSIONS ARE IN INCHES
 TOLERANCES
 2 PL DECIMALS ± .01
 3 PL DECIMALS ± .005

NEXT ASS'Y:

Configuration

DATE: