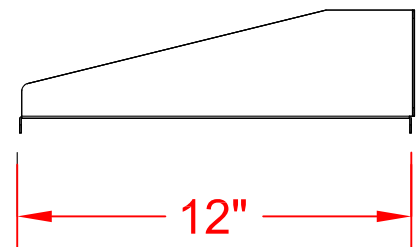
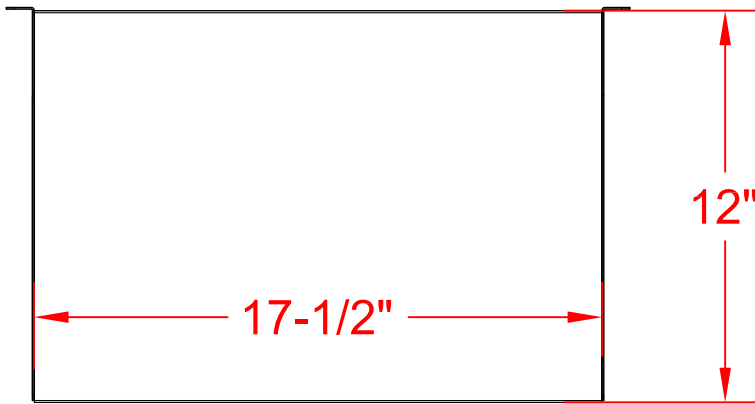
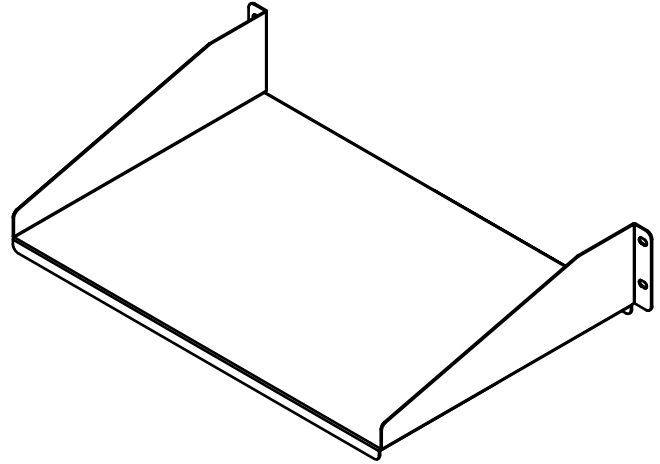


# Cantilever Shelf 12"

PN 14-00710-000



UNLESS OTHERWISE SPECIFIED  
 DIMENSIONS ARE IN INCHES  
 TOLERANCES  
 2 PL DECIMALS ± .01  
 3 PL DECIMALS ± .005

NEXT ASS'Y:

Shelf PN 14-00712-000

DATE: