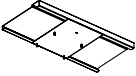


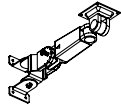

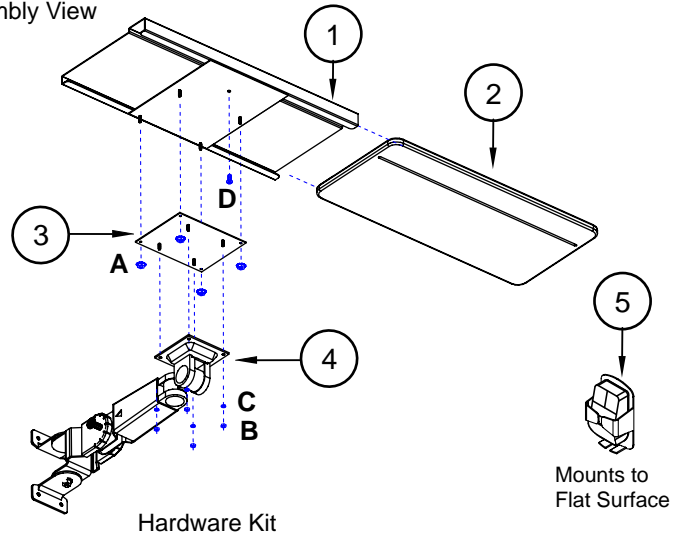




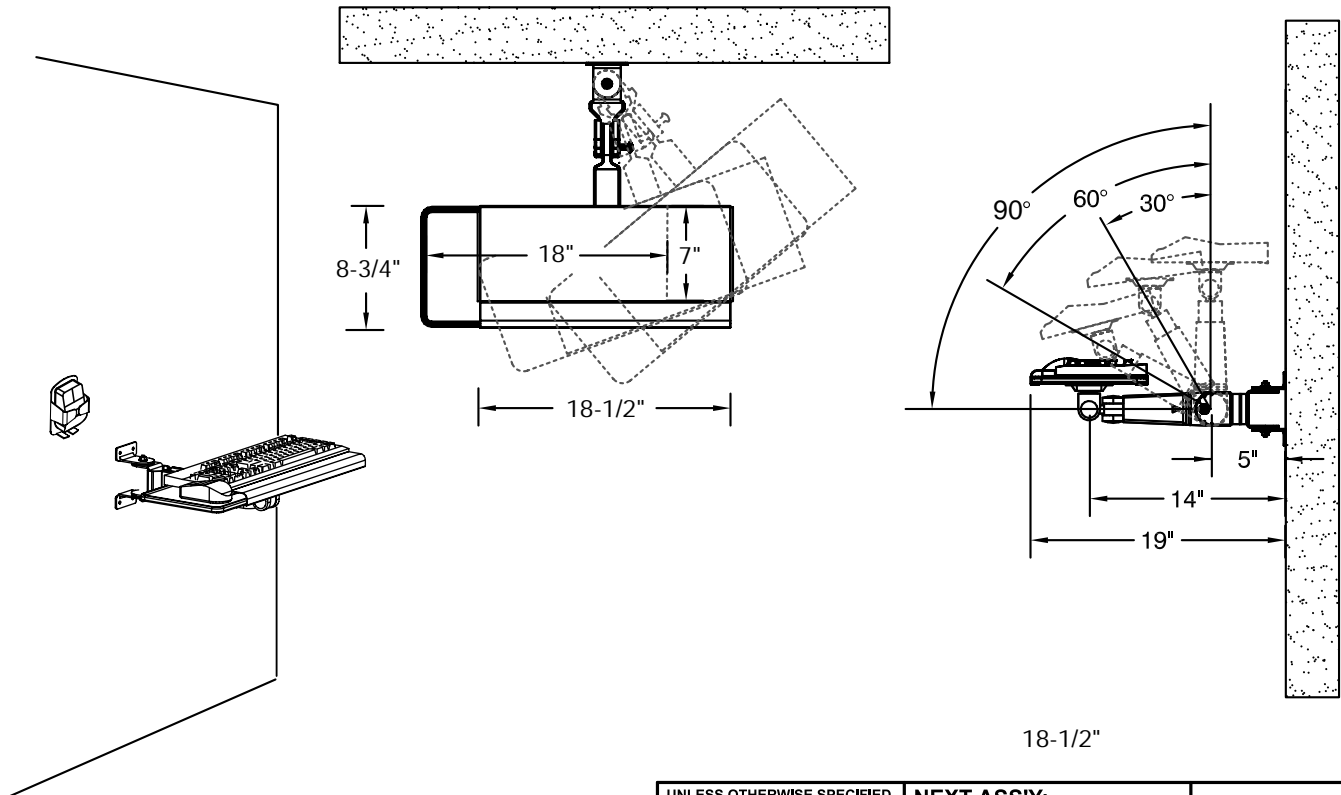


Keyboard & Mouse Tray Assembly			
Item #	Illustration	Part Number	Qty.
1		83-02000-200 Keyboard Tray	1
2		83-02000-230 Mouse Tray Laminated Wood	1
3		83-02000-235 Adapter Plate for KB Tray	1
4		LA-12 15-00036-L12 Keyboard Arm	1
5		MH-008 15-00220-025 Mouse Holder	1

Assembly View



A 	B 	C 	D 
10-32 Locking Nut (83-28002-010)	6-32 Hex Nut (83-28002-060)	# 8 Split Washer (83-28004-015)	10-32 x 1/2 Phil HD. Screw (83-28001-037)
Qty 4	4	4	1



UNLESS OTHERWISE SPECIFIED
 DIMENSIONS ARE IN INCHES
 TOLERANCES
 2 PL DECIMALS ± .01
 3 PL DECIMALS ± .005

NEXT ASS'Y:

DATE: