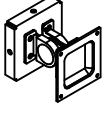
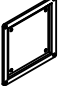
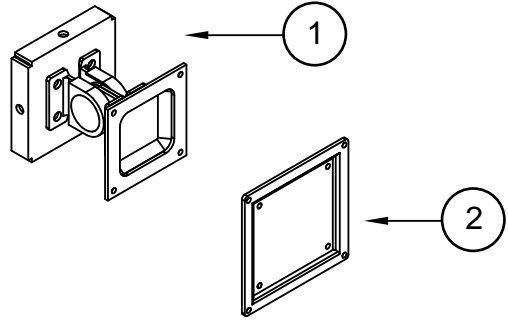
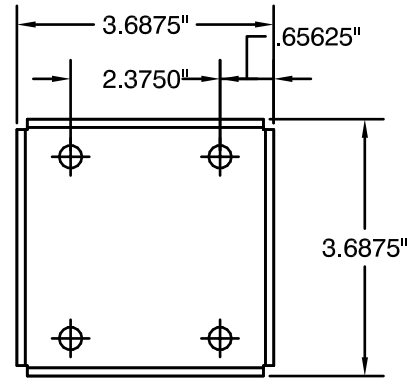
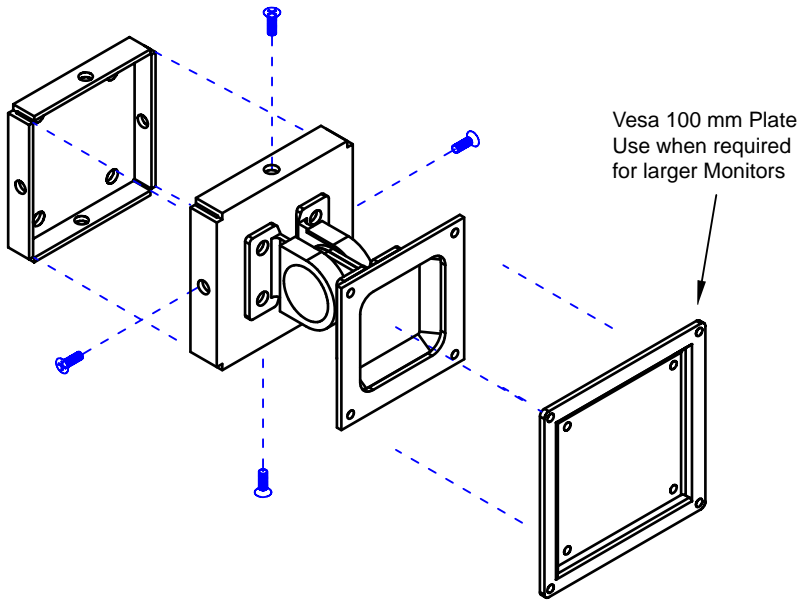


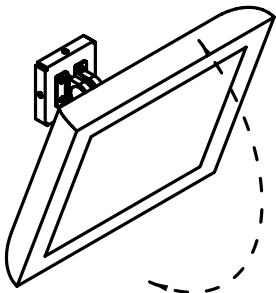
Item #	Illustration	Part Number & Description	Qty.
1		<b>LA-16</b> 15-00044-L16 LCD Monitor Wall Mount Arm	1
2		<b>100 MM PLATE</b> 15-00090-100 LCD 100mm Plate Adapter	1



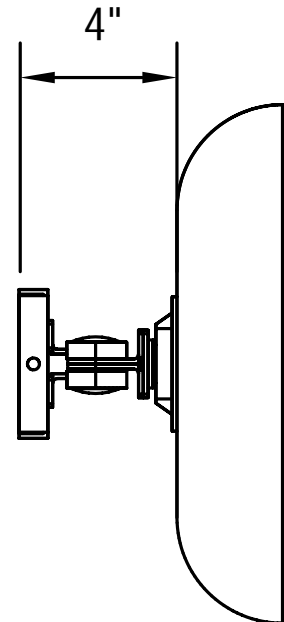
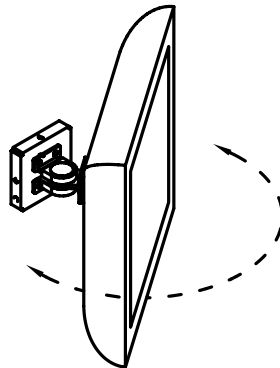
Assembly View



Wall Mount Plate



Up and Down  
or  
Right to Left



UNLESS OTHERWISE SPECIFIED  
 DIMENSIONS ARE IN INCHES  
 TOLERANCES  
 2 PL DECIMALS ± .01  
 3 PL DECIMALS ± .005

NEXT ASS'Y:

DATE: