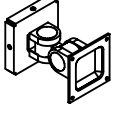
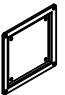
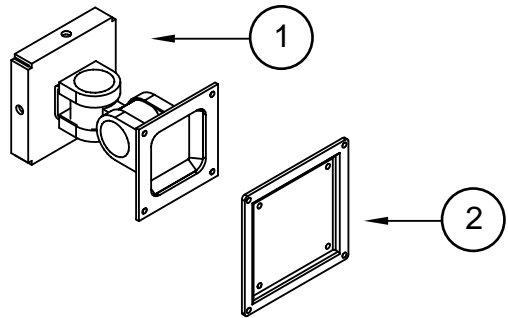
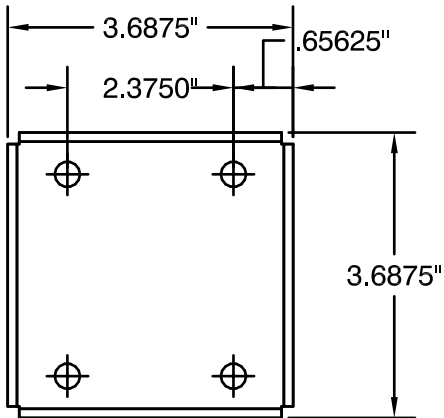
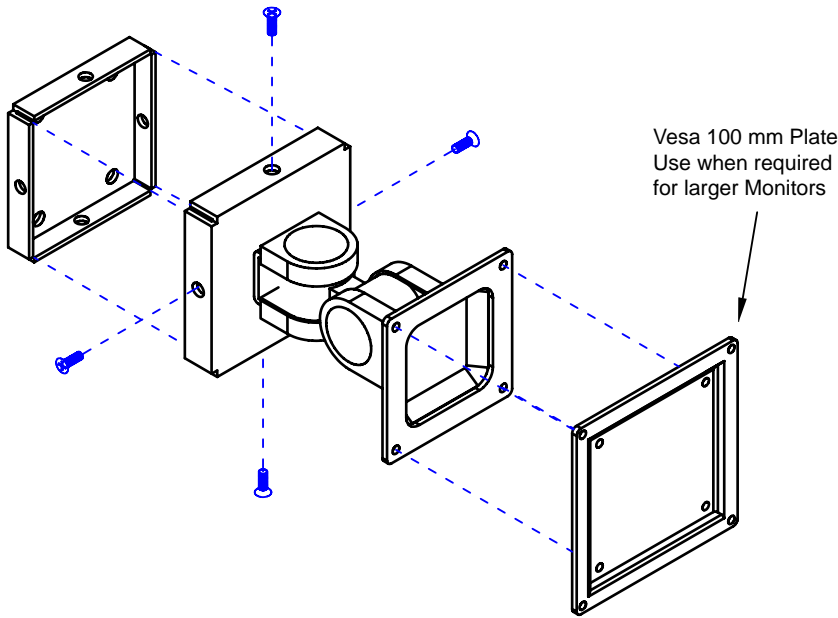


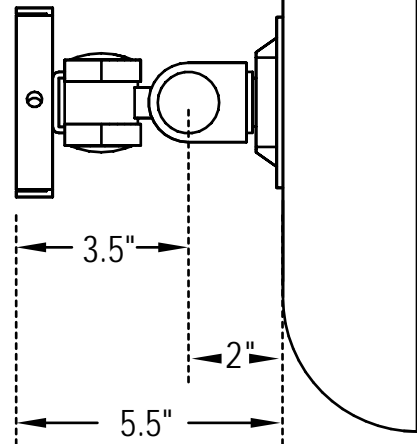
Item #	Illustration	Part Number & Description	Qty.
1		LA-17 15-00048-L17 LCD Monitor Wall Mount Arm	1
2		100 MM PLATE 15-00090-100 LCD 100mm Plate Adapter	1



Assembly View



Wall Mount Plate



UNLESS OTHERWISE SPECIFIED
 DIMENSIONS ARE IN INCHES
 TOLERANCES
 2 PL DECIMALS ± .01
 3 PL DECIMALS ± .005

NEXT ASS'Y:

DATE: