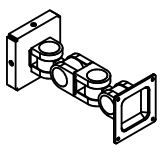
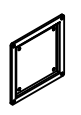
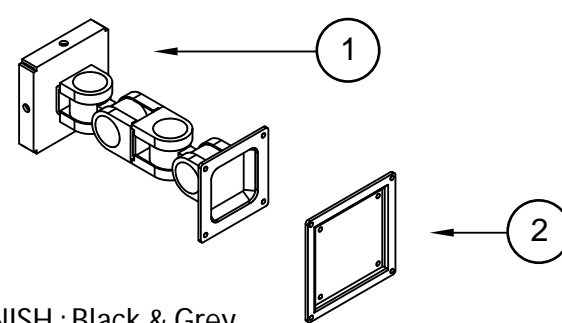
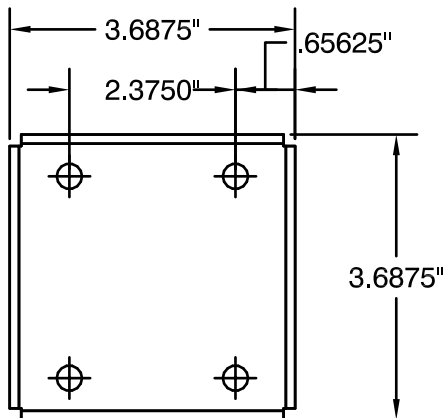
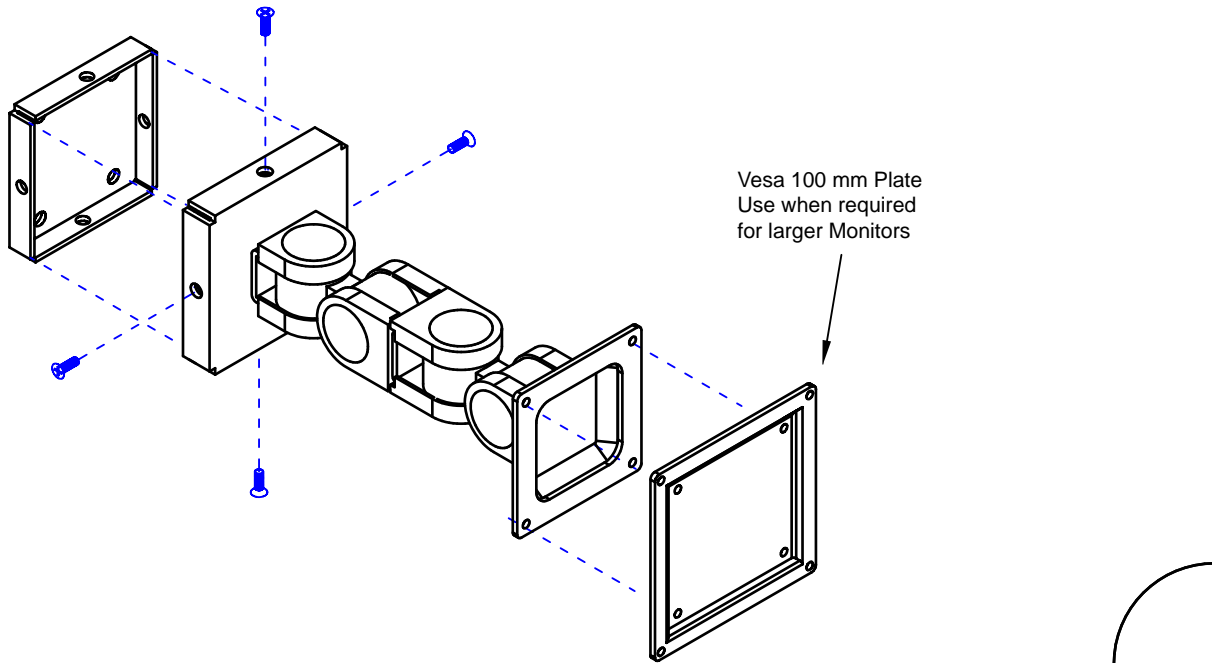


Item #	Illustration	Part Number & Description	Qty.
1		<b>LA-18</b> 15-00048-L18 LCD Monitor Wall Mount Arm	1
2		<b>100 MM PLATE</b> 15-00090-100 LCD 100mm Plate Adapter	1

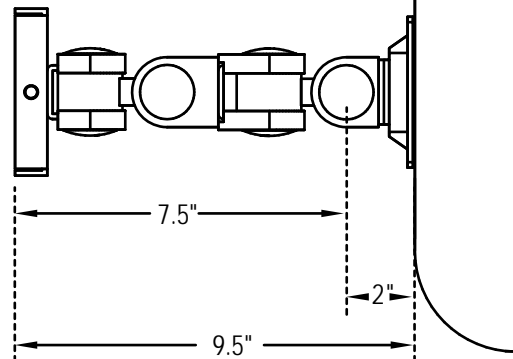


FINISH : Black & Grey

**Assembly View**



Wall Mount Plate



UNLESS OTHERWISE SPECIFIED  
 DIMENSIONS ARE IN INCHES  
 TOLERANCES  
 2 PL DECIMALS ± .01  
 3 PL DECIMALS ± .005

NEXT ASS'Y:

DATE: