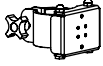
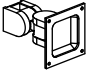
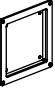
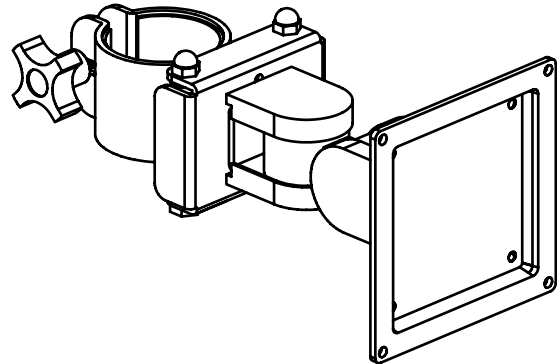
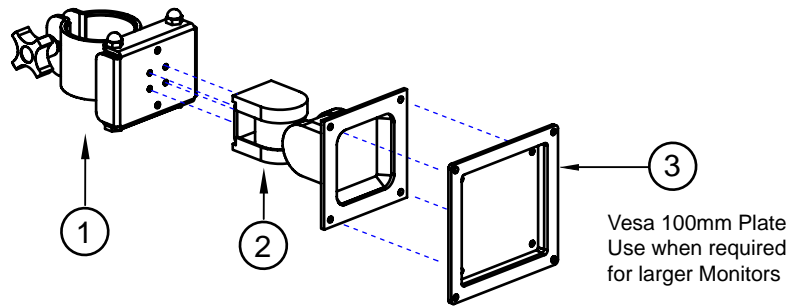


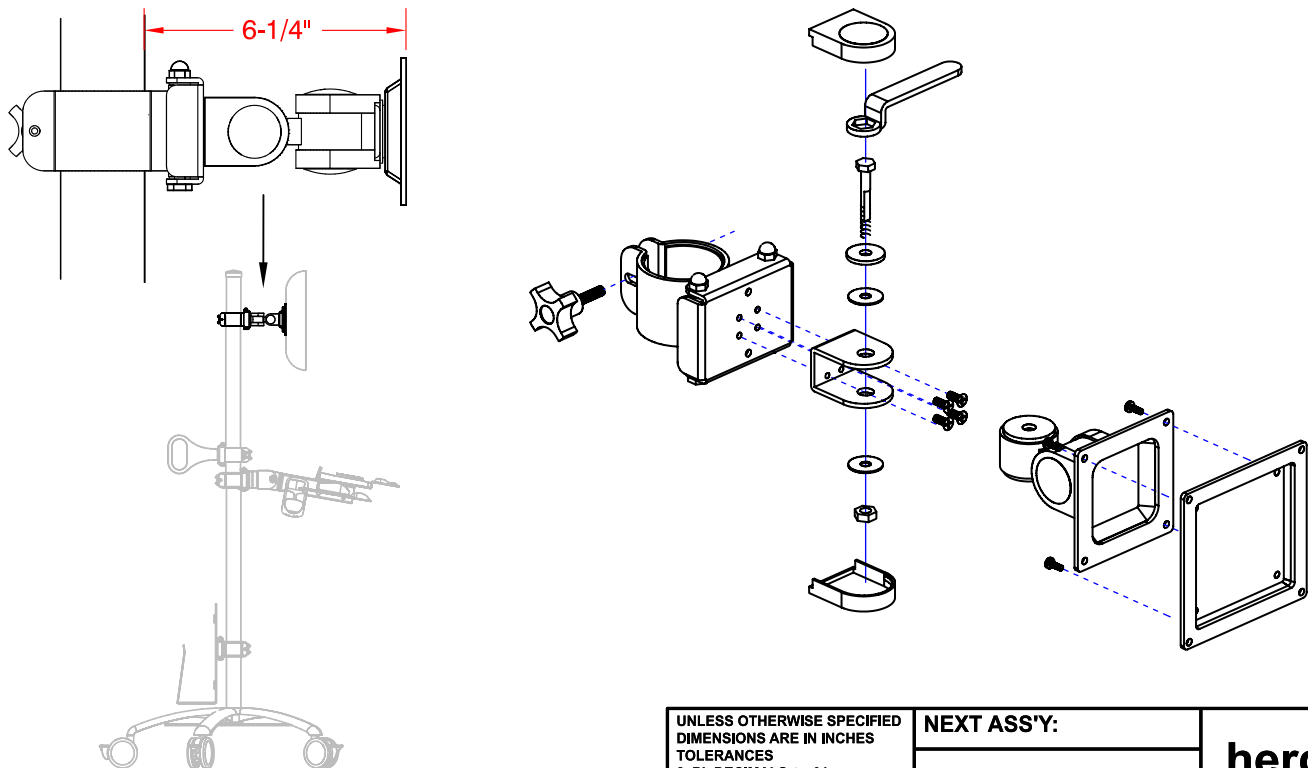
Item #	Illustration	Part Number & Description	Qty.
1		94-00135-000 Easy Mount Post Clamp	1
2	 <i>Includes hardware</i>	LA-17NQ 15-00049-17N Flat Panel Post Mount	1
3	 <i>Includes hardware</i>	100 MM PLATE 15-00090-100 100mm Mounting Plate	1



Assembly View



Detailed Assembly View (Includes hardware and tools as shown below)



UNLESS OTHERWISE SPECIFIED
 DIMENSIONS ARE IN INCHES
 TOLERANCES
 2 PL DECIMALS ± .01
 3 PL DECIMALS ± .005

NEXT ASS'Y:

DATE: