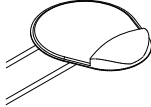
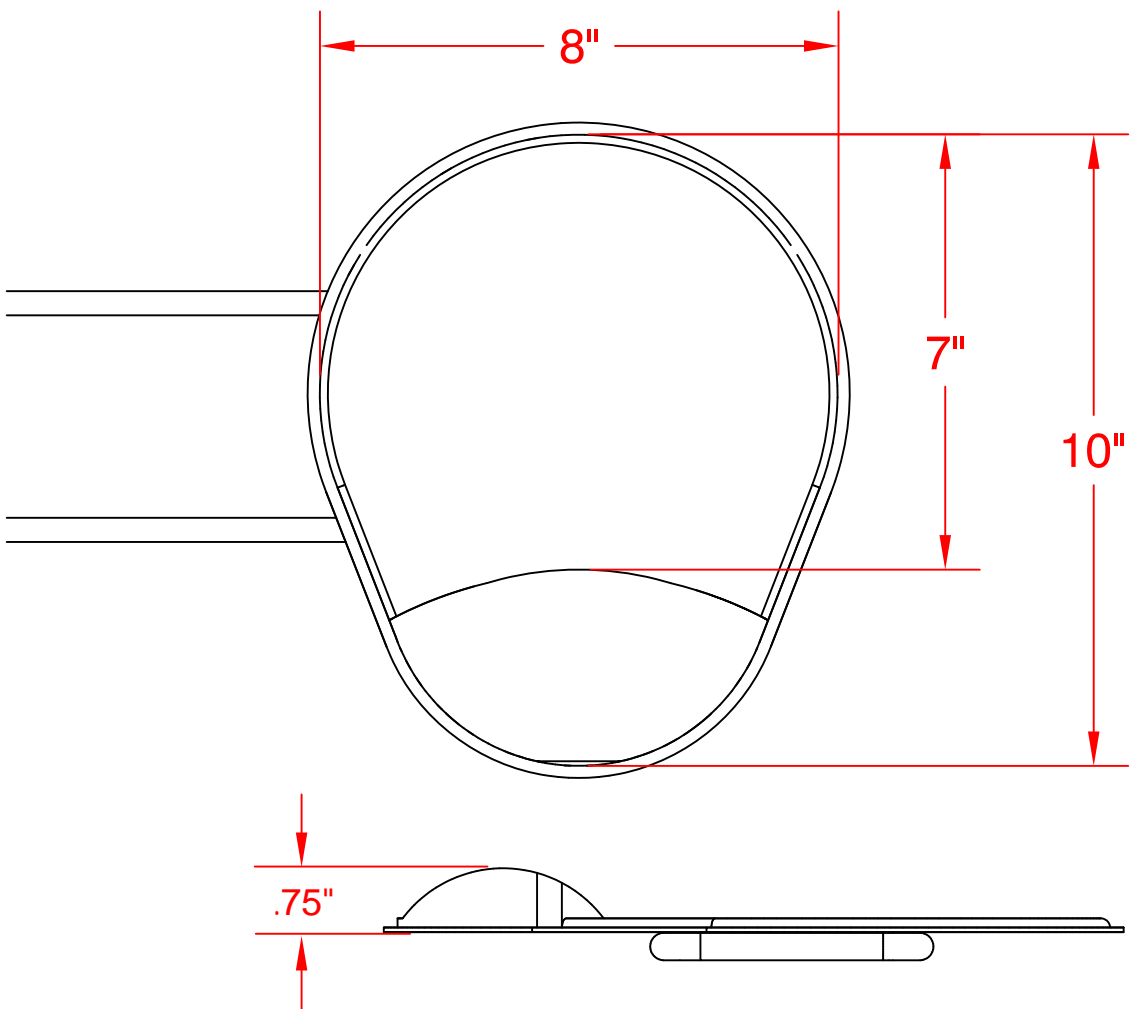
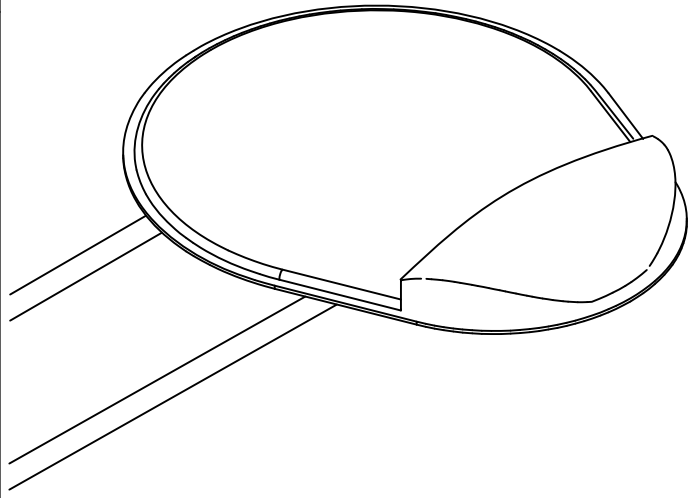


| Item # | Illustration | Part Number & Description | Qty. |
|--------|---|---------------------------------------|------|
| 1 |  | 15-00051-004 Mobile Cart Mouse Pad | 1 |



UNLESS OTHERWISE SPECIFIED
 DIMENSIONS ARE IN INCHES
 TOLERANCES
 2 PL DECIMALS ± .01
 3 PL DECIMALS ± .005

NEXT ASS'Y:

 DATE:
