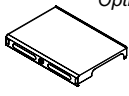
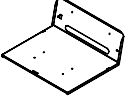


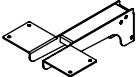



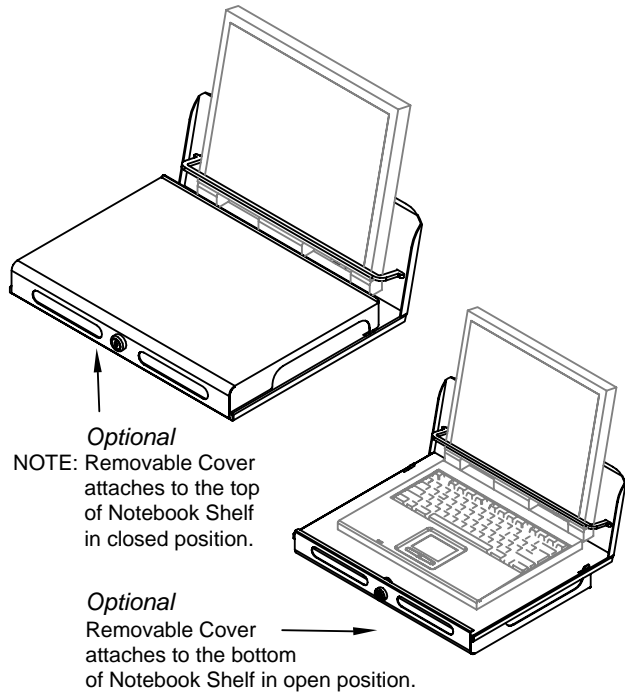
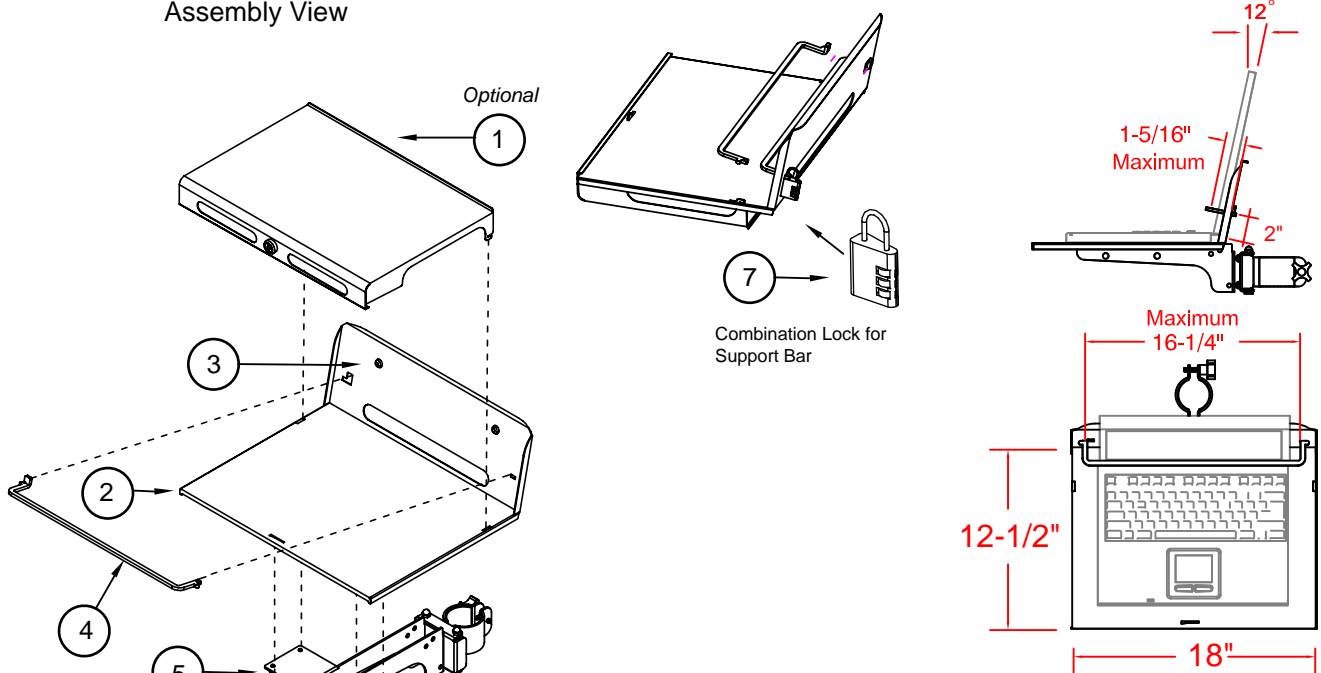


Item #	Illustration	Part Number & Description	Qty.
1	 <i>Optional</i>	15-00051-019 <i>Optional</i> Removable Cover with Lock	1
2		83-02000-132 Notebook Shelf Plate	1
3		83-28000-102 Rubber Push-In Bumper	2
4		83-02000-134 Security Bar	1
5	 	83-02000-123 Shelf Bracket  94-00135-000 Easy Mount Post Clamp	1
6		83-28002-010 Kep Nut 10-32	4
7		83-28024-127 Combination Lock	1



Assembly View



UNLESS OTHERWISE SPECIFIED  
 DIMENSIONS ARE IN INCHES  
 TOLERANCES  
 2 PL DECIMALS ± .01  
 3 PL DECIMALS ± .005

NEXT ASS'Y:  
 \_\_\_\_\_  
 DATE:  
 \_\_\_\_\_