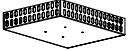




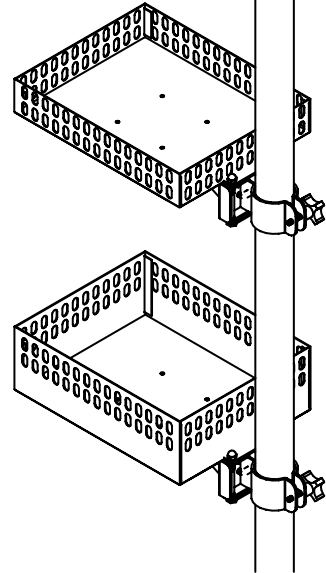


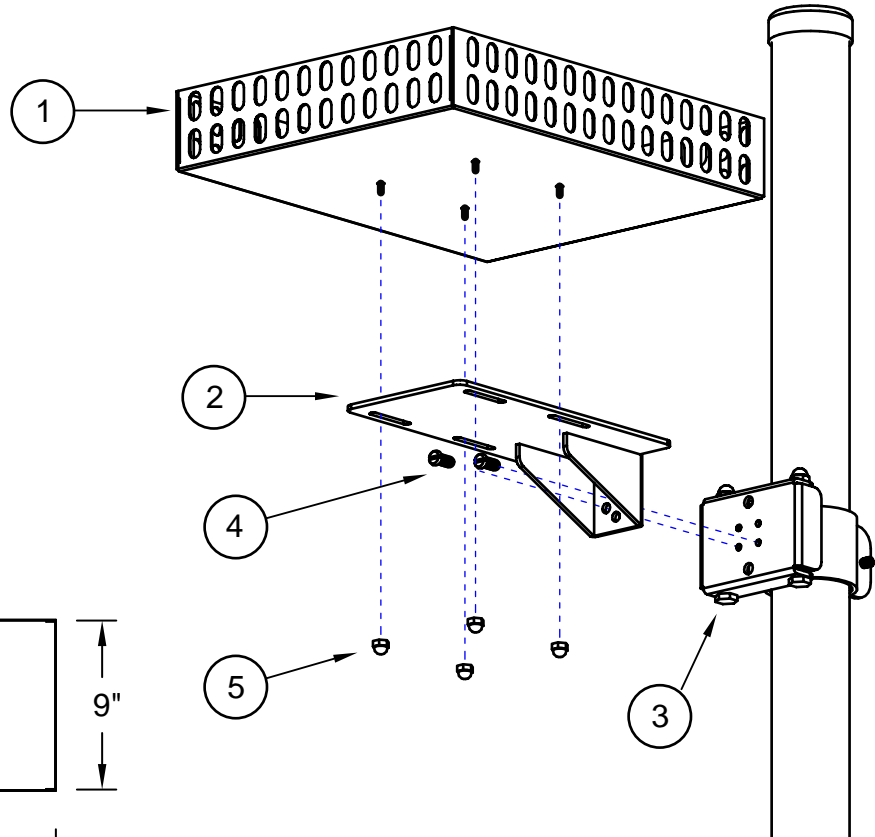
Item #	Illustration	Part Number & Description	Qty.
1		83-02000-105 Storage Bin 2"H	1
		83-02000-107 Storage Bin 4"H	
2		83-02000-109 Mounting Bracket for Storage Bins	1
3		<b>94-00135-000</b> Easy Mount Post Clamp	1
4		83-28001-008 M5 x 6mm Metric Slot Head Machine Screw	2
5		83-28002-015 10-32 Acorn Nut	4

# 15-00201-002  
Storage Bin 2"H

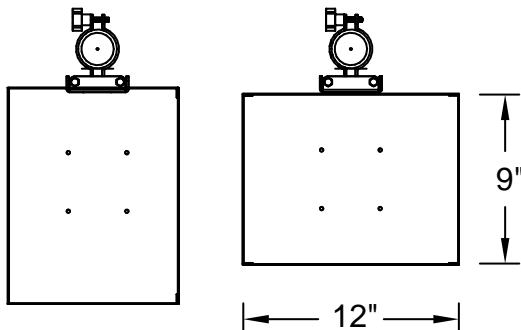
# 15-00201-006  
Storage Bin 4"H



Assembly View



Mounts in either direction



UNLESS OTHERWISE SPECIFIED  
 DIMENSIONS ARE IN INCHES  
 TOLERANCES  
 2 PL DECIMALS ± .01  
 3 PL DECIMALS ± .005

NEXT ASS'Y:

DATE: