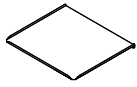
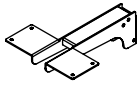



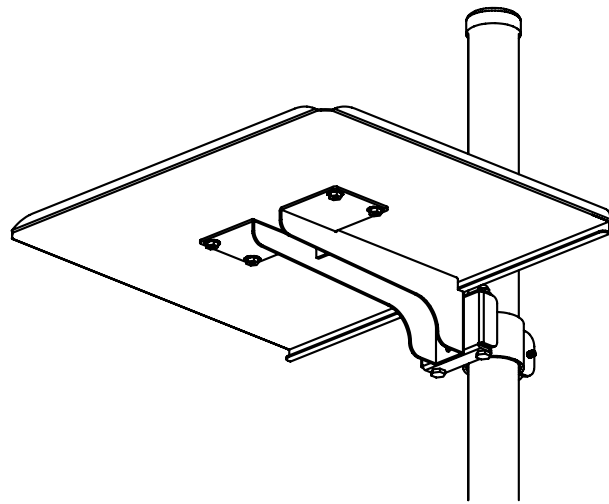
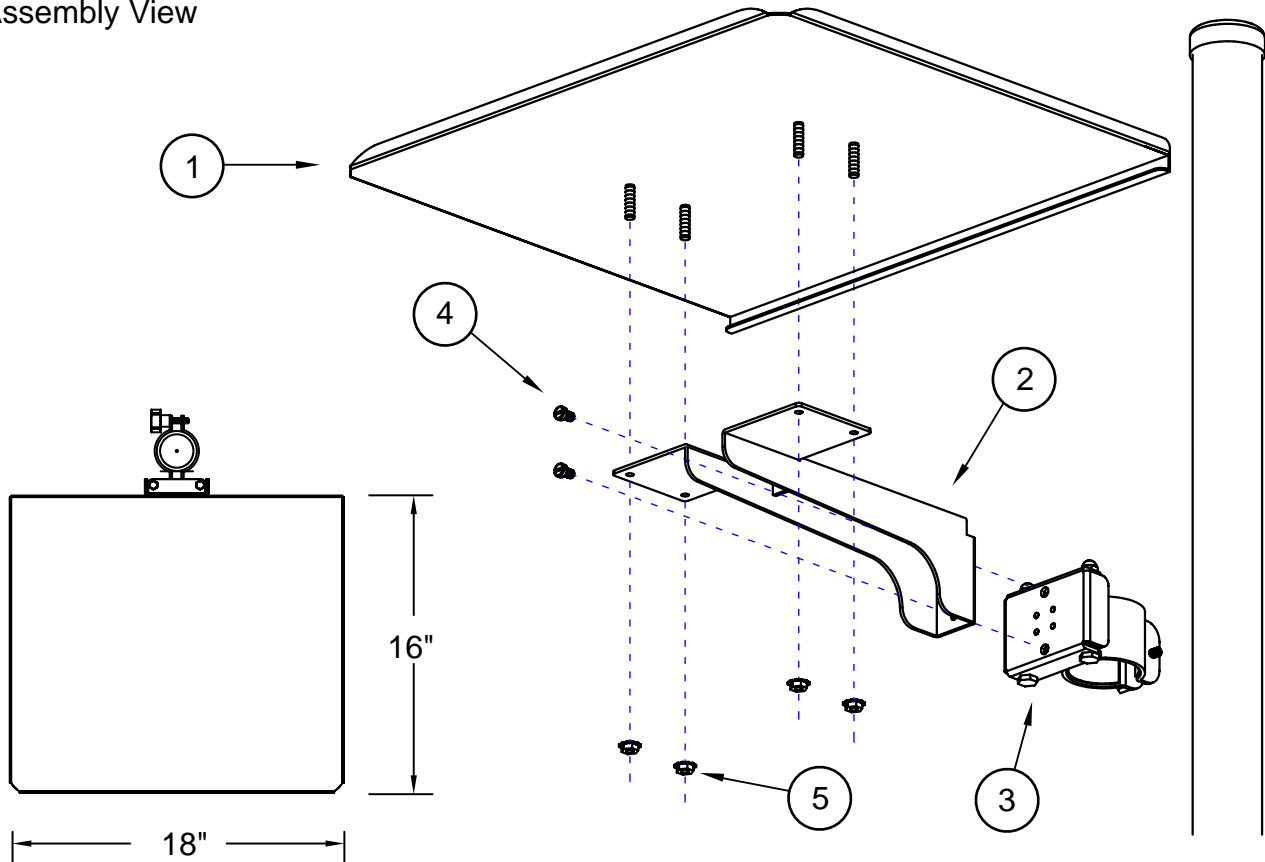


Item #	Illustration	Part Number & Description	Qty.
1		83-02000-130 Plate for Mobile Cart Printer Shelf	1
2		83-02000-123 Bracket for Printer Shelf	1
3		94-00135-000 Easy Mount Post Clamp	1
4		83-28001-009 M6 x 8mm Metric Slot Head Machine Screw	2
5		83-28002-010 Kep Nut 10-32	4



Assembly View



<small>UNLESS OTHERWISE SPECIFIED DIMENSIONS ARE IN INCHES TOLERANCES 2 PL DECIMALS ± .01 3 PL DECIMALS ± .005</small>	NEXT ASS'Y:	hergo
	DATE:	