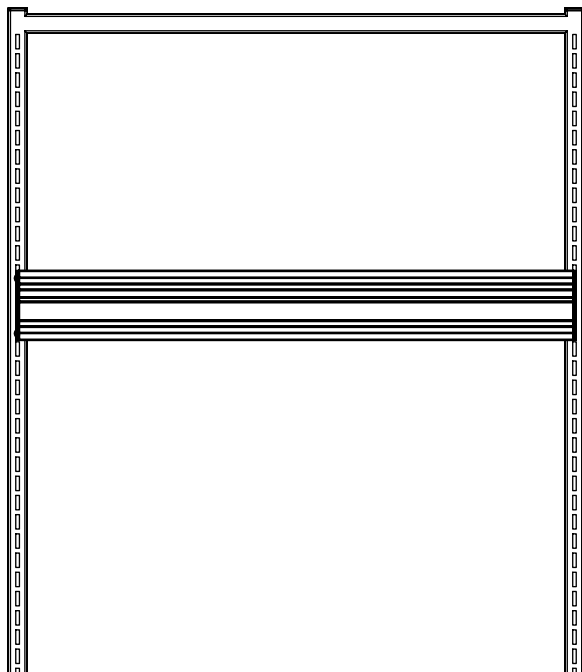
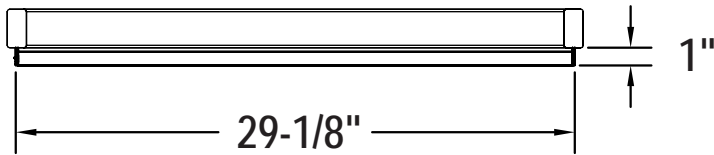
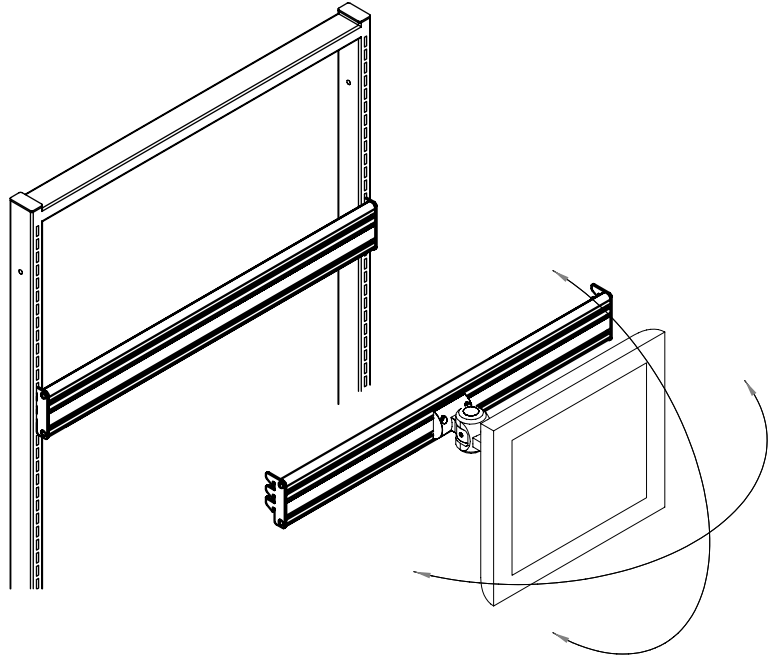




56-01 55TH AVENUE
MASPETH, NY 11378
888.222.7270
www.hergo.com

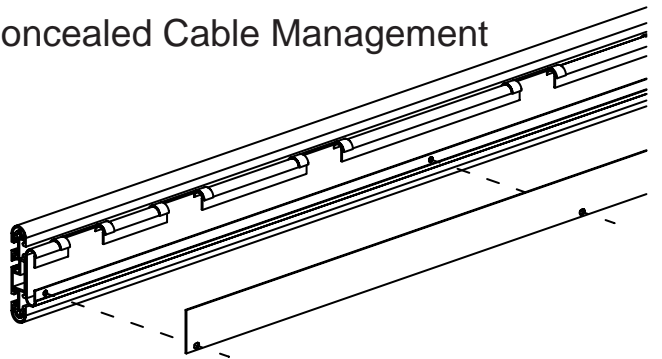
30" Frame Mount Track

(PN 15-HE501-230)



Back View

Concealed Cable Management



UNLESS OTHERWISE SPECIFIED
DIMENSIONS ARE IN INCHES
TOLERANCES
2 PL DECIMALS ± .01
3 PL DECIMALS ± .005

NEXT ASS'Y:

FLAT PANEL ARMS 15-00036-L12

DATE: 6/11/2002

