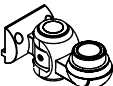
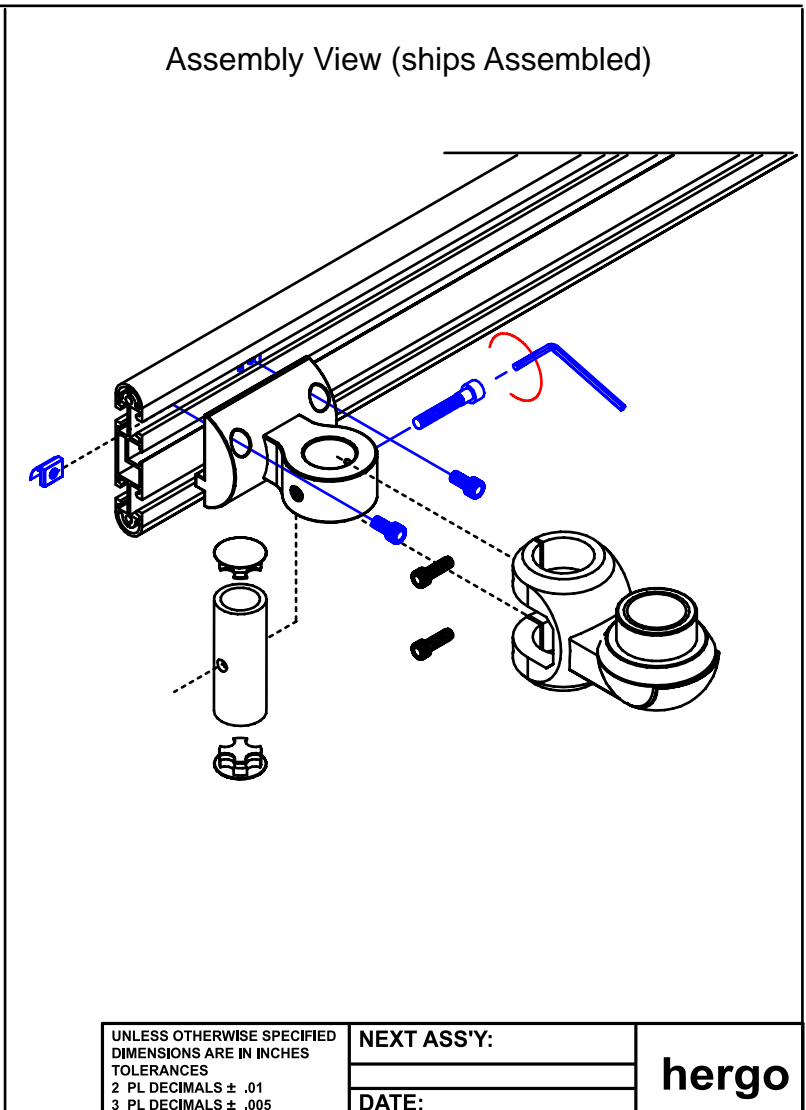
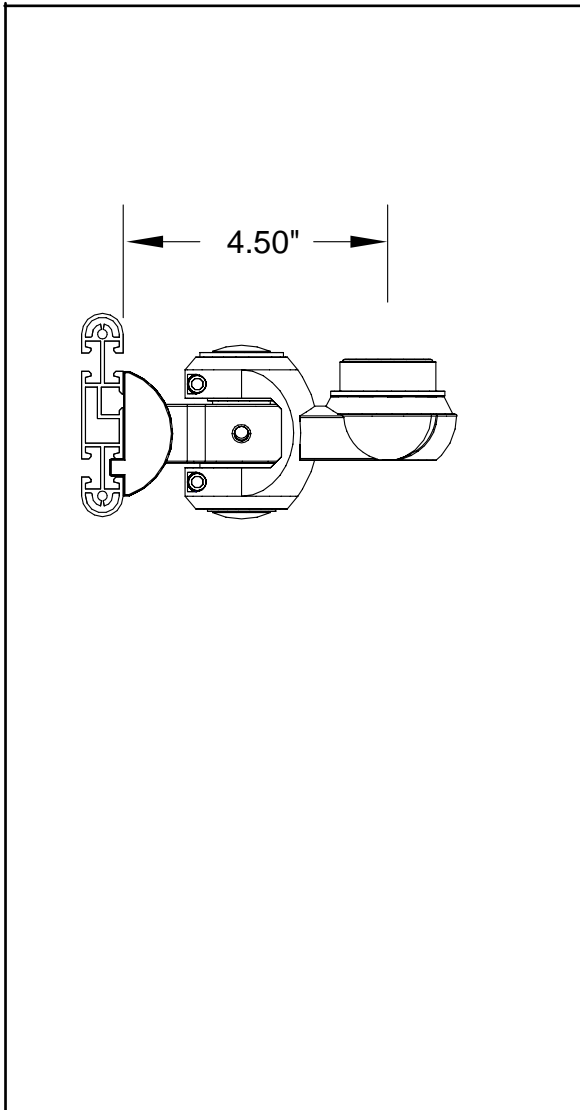
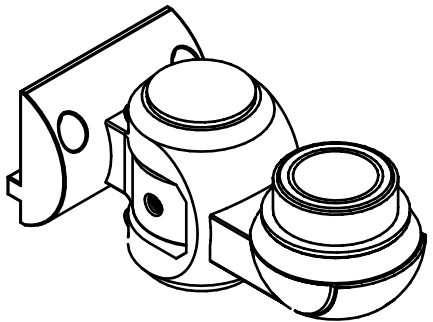



| Item # | Illustration  | Part Number & Description   | Qty. |
|--------|---|---|------|
| 1      |  | <p>(LA-56)<br/>           15-HE514-056<br/>           Orbiter Channel Mount</p> | 1    |



|  |                    |   |
|--|--------------------|---|
| <p>UNLESS OTHERWISE SPECIFIED<br/>         DIMENSIONS ARE IN INCHES<br/>         TOLERANCES<br/>         2 PL DECIMALS ± .01<br/>         3 PL DECIMALS ± .005</p> | <p>NEXT ASS'Y:</p> |  |
|  | <p>DATE:</p>       |   |