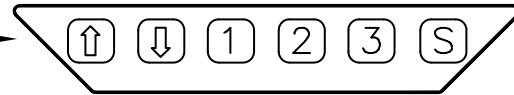
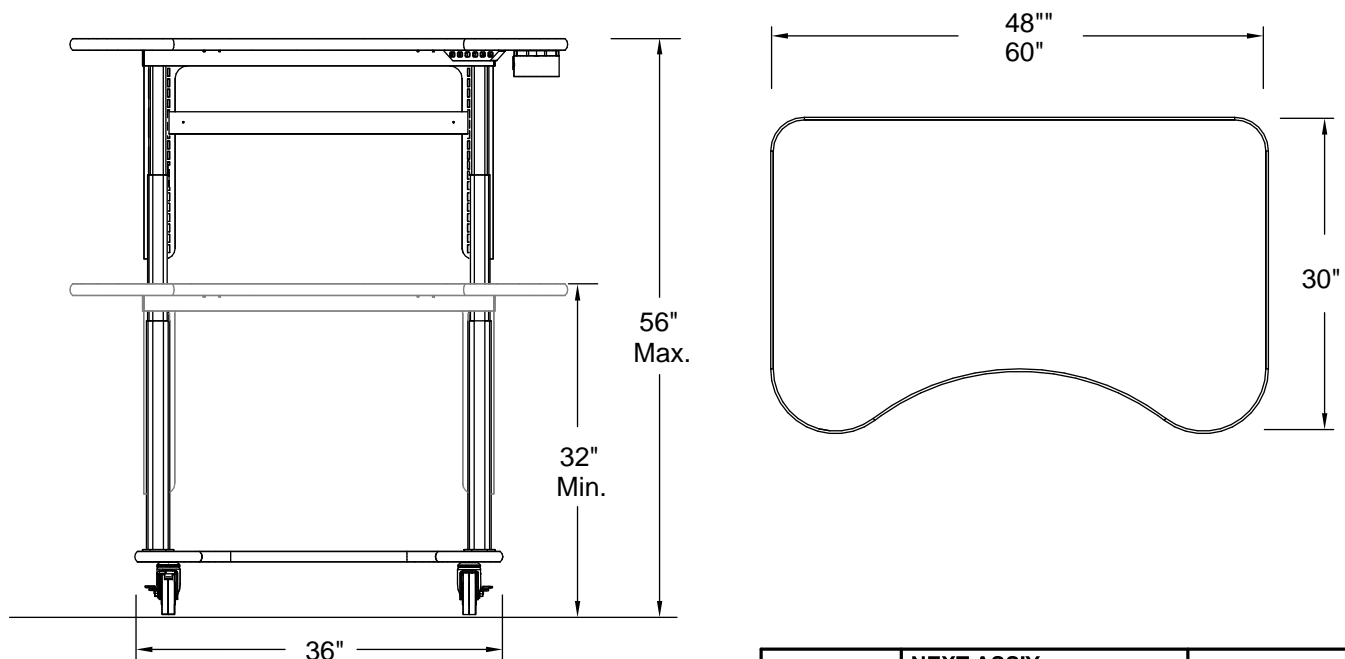
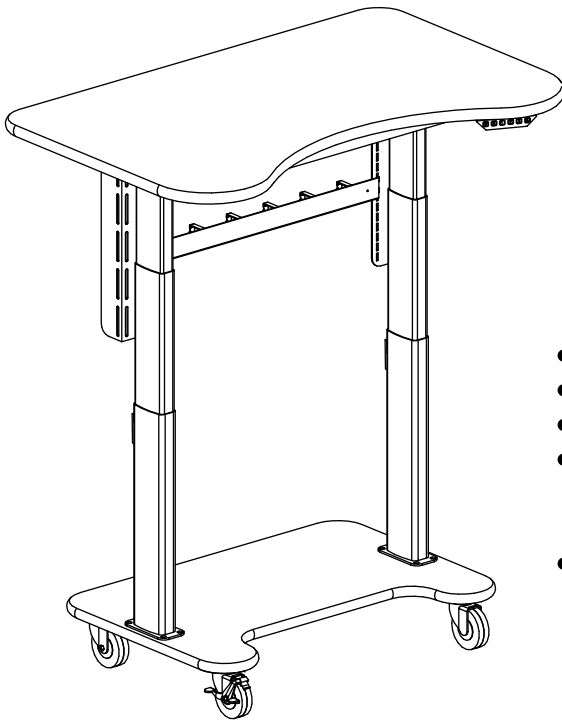


Control Box



### Operating Instructions

- Workstation desk top will ship in a locked position.
- To release the desk top, press the Up Arrow on the Control Box.
- User may program up to (3) set positions using the Control Box.
- To program, raise or lower the Workstation desk top to the desired position and immediately press "S" on the Control Box followed by the number "1", "2" or "3".
- To double check the programmed levels, press "1", "2" or "3" on the Control Box. At this point, the Workstation desk top will stop at the pre-programmed positions.



	NEXT ASS'Y:	<b>hergo</b>
	DATE:	