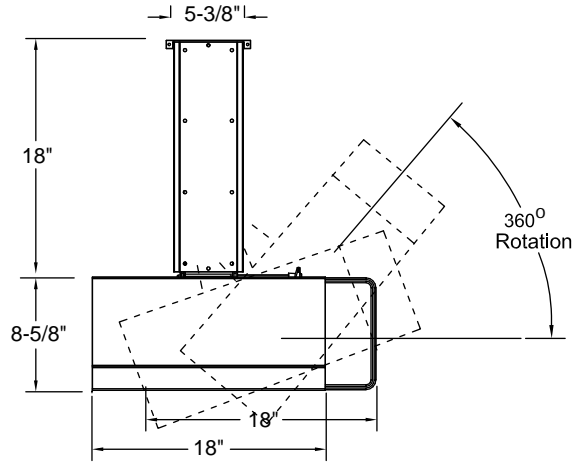
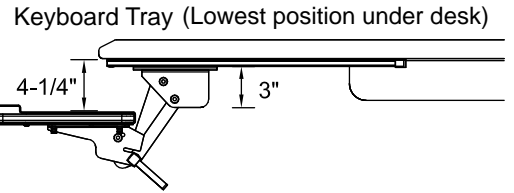
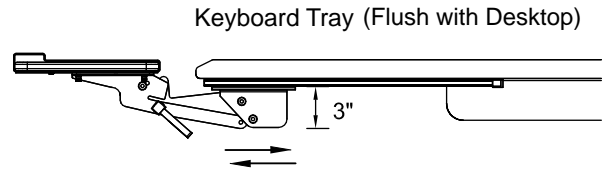




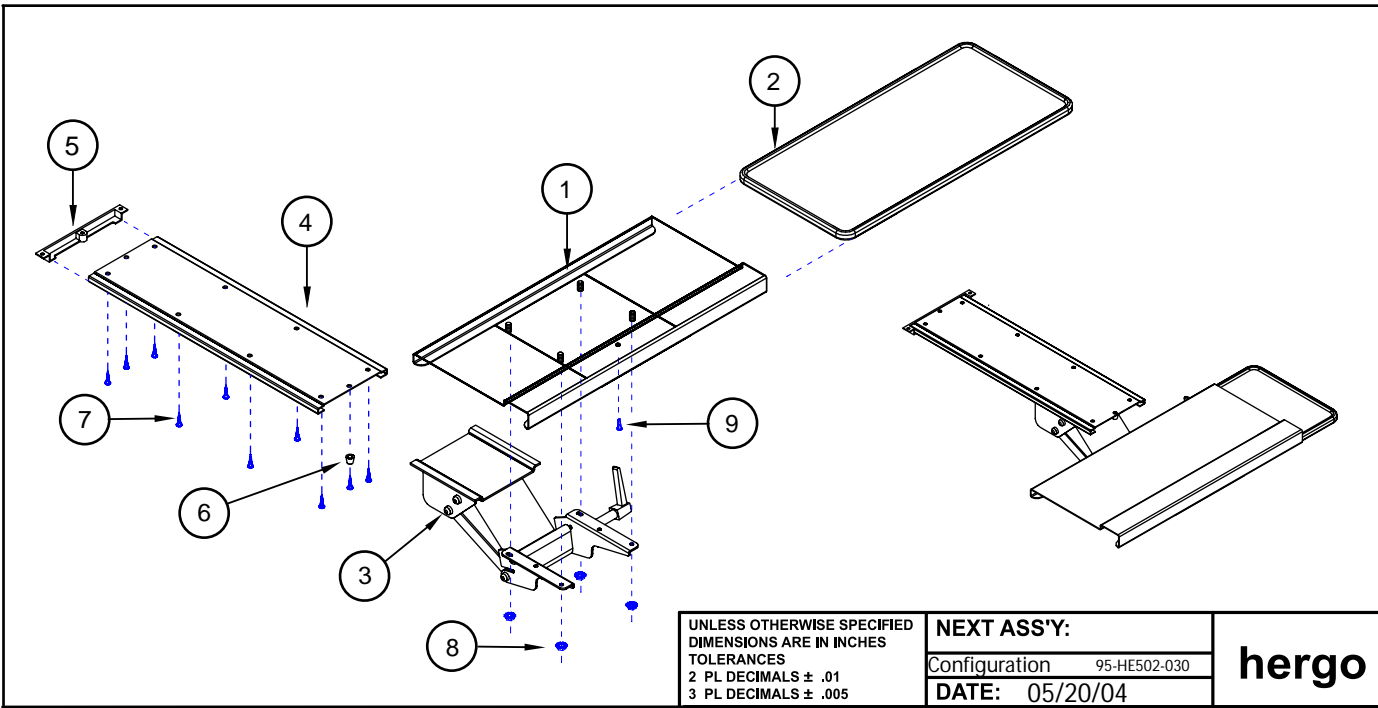
56-01 55TH AVENUE
 MASPETH, NY 11378
 888.222.7270
 www.hergo.com

Under Desk Keyboard Tray PN 25-00110-000

Item #	Illustration	Part Number & Description	Qty.
1		83-02000-200 Keyboard Tray	1
2		83-02000-230 Mouse Tray Laminated Wood	1
3		14916-1 83-02000-220 Keyboard Arm Mechanism	1
4		14916-2 83-02000-220 Keyboard Channel	1
5		14916-3 83-02000-220 KB Channel End Cap	1
6		14916-4 83-02000-220 KB Channel Stopper	1
7		18751 83-02000-220 Wood Screws	20
8		83-28002-010 10-32 Locking Nut	4
9		83-28001-037 10-32 x 1/2 Phil HD. Screw	1



Assembly View



UNLESS OTHERWISE SPECIFIED
 DIMENSIONS ARE IN INCHES
 TOLERANCES
 2 PL DECIMALS ± .01
 3 PL DECIMALS ± .005

NEXT ASS'Y:
 Configuration 95-HE502-030
 DATE: 05/20/04

