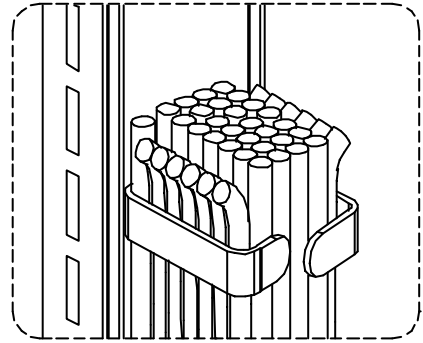
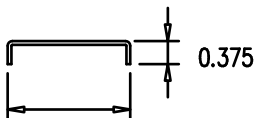
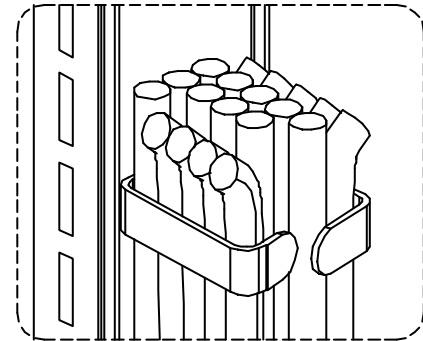


Channel
 16 GA CRS



DETAIL - A

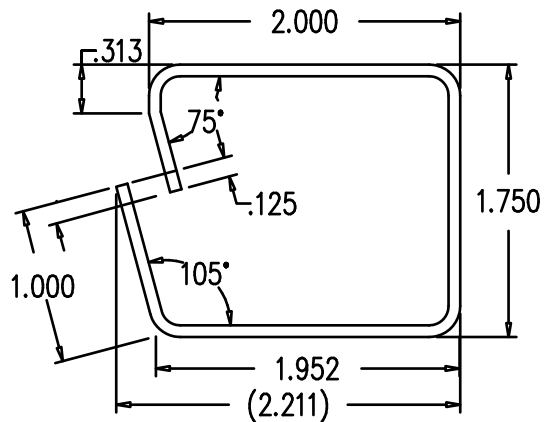
(CONTAIN AS MANY AS
 41 x ϕ 1/4 CABLES)



DETAIL - A

(CONTAIN AS MANY AS
 19 x ϕ 3/8 CABLES)

Loop Detail (14 GA.)



UNLESS OTHERWISE SPECIFIED
 DIMENSIONS ARE IN INCHES
 TOLERANCES
 2 PL DECIMALS \pm .01
 3 PL DECIMALS \pm .005

NEXT ASS'Y:

DATE: