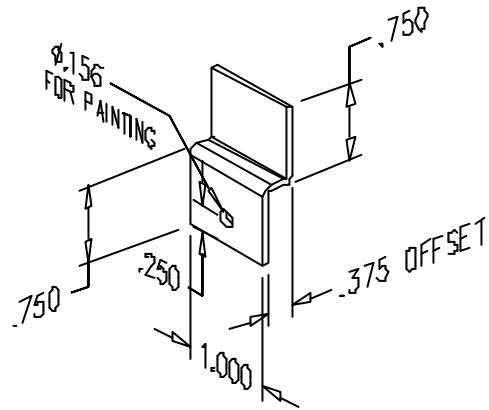


TOP VIEW



BRACKET DETAIL

{CUT 1.75 x 1.00  
 16 GA CRS}

BRACKET (2)

UNLESS OTHERWISE SPECIFIED  
 DIMENSIONS ARE IN INCHES  
 TOLERANCES  
 2 PL DECIMALS ± .01  
 3 PL DECIMALS ± .005

NEXT ASS'Y:

DATE: