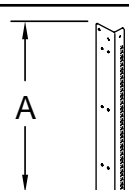
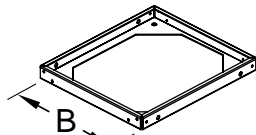
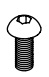

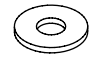

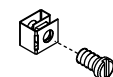
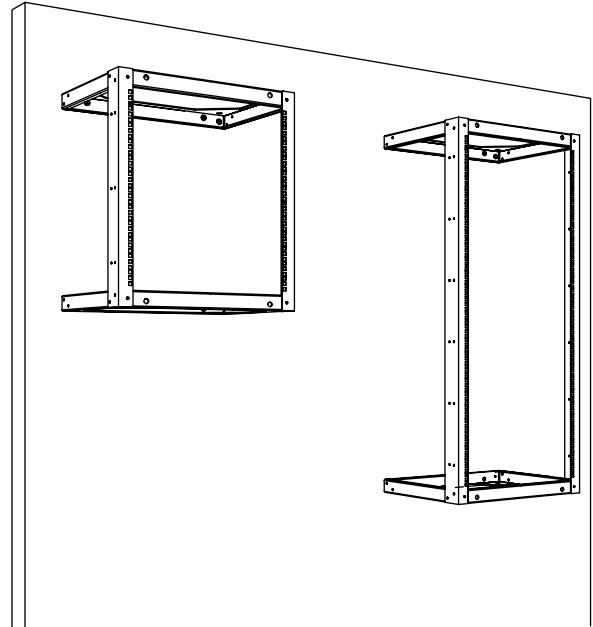


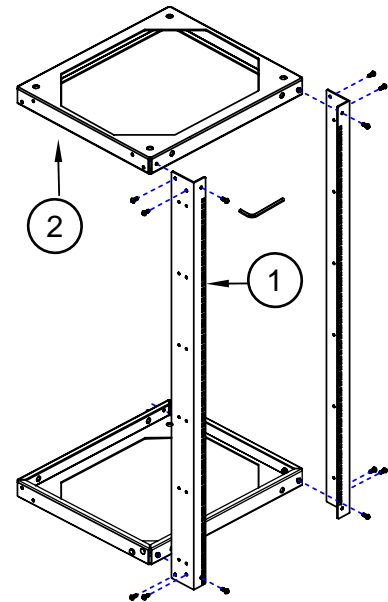
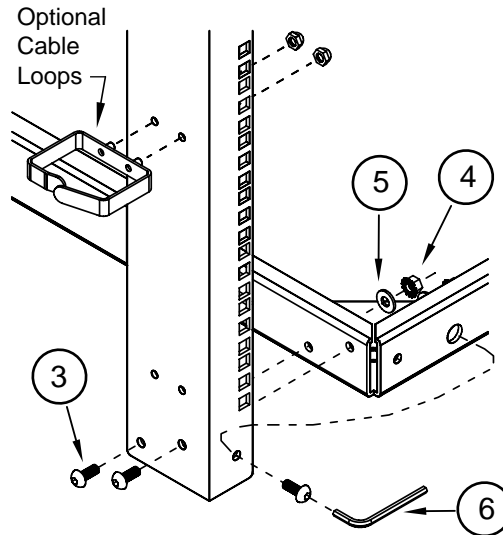
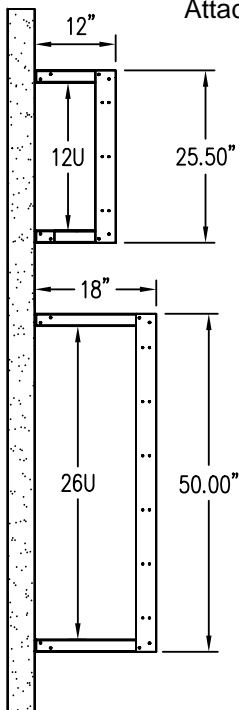
Wall Mounted iRacks

Item #	Illustration	Part Number & Description	Qty.
1		Dim. A Upright 12U" 82-04140-008 26U" 82-04140-009	2
2		Dim. B Top / Bottom 12" 82-04140-012 18" 82-04140-018	2
3		83-28001-034 1/4-20 x 5/8" Button Head Socket Cap Screw	12
4		83-28002-005 Kep Nuts 1/4-20	12
5		83-28004-005 1/4" Washer	12
6		83-62001-020 5/32" Allen Key	2
7		83-28002-027 Screws & Cage Nuts (used to mount equipment)	20

Product #	Height	Depth
95-00132-212	12U	12"
95-00132-812	12U	18"
95-00132-226	26U	12"
95-00132-826	26U	18"



Attach Uprights to Top / Bottom as shown in detail below.



UNLESS OTHERWISE SPECIFIED
 DIMENSIONS ARE IN INCHES
 TOLERANCES
 2 PL DECIMALS ± .01
 3 PL DECIMALS ± .005

NEXT ASS'Y:

Configuration

DATE: