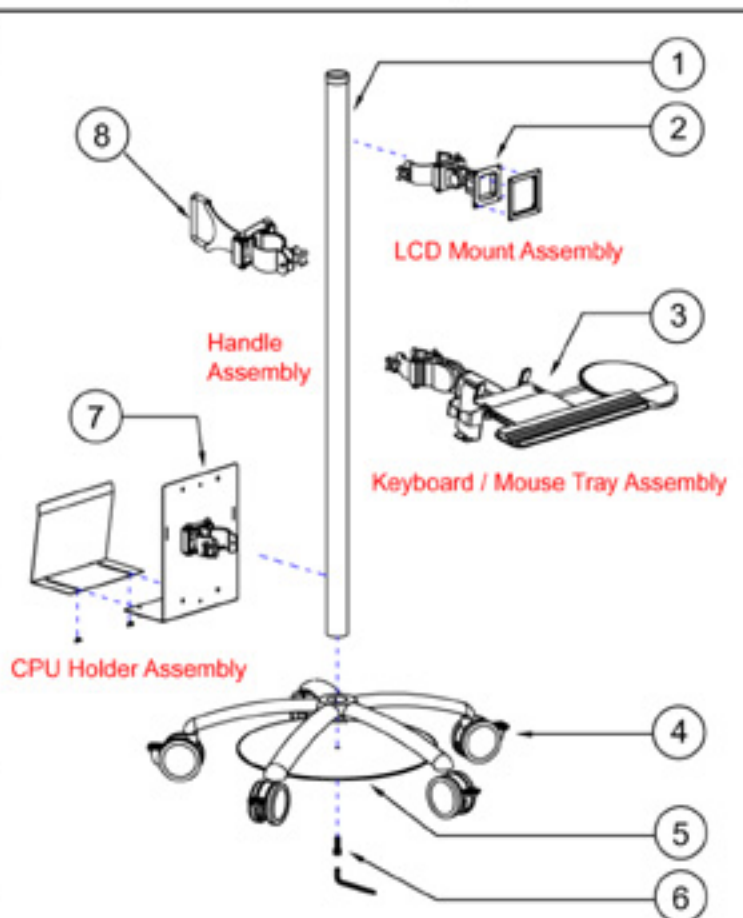
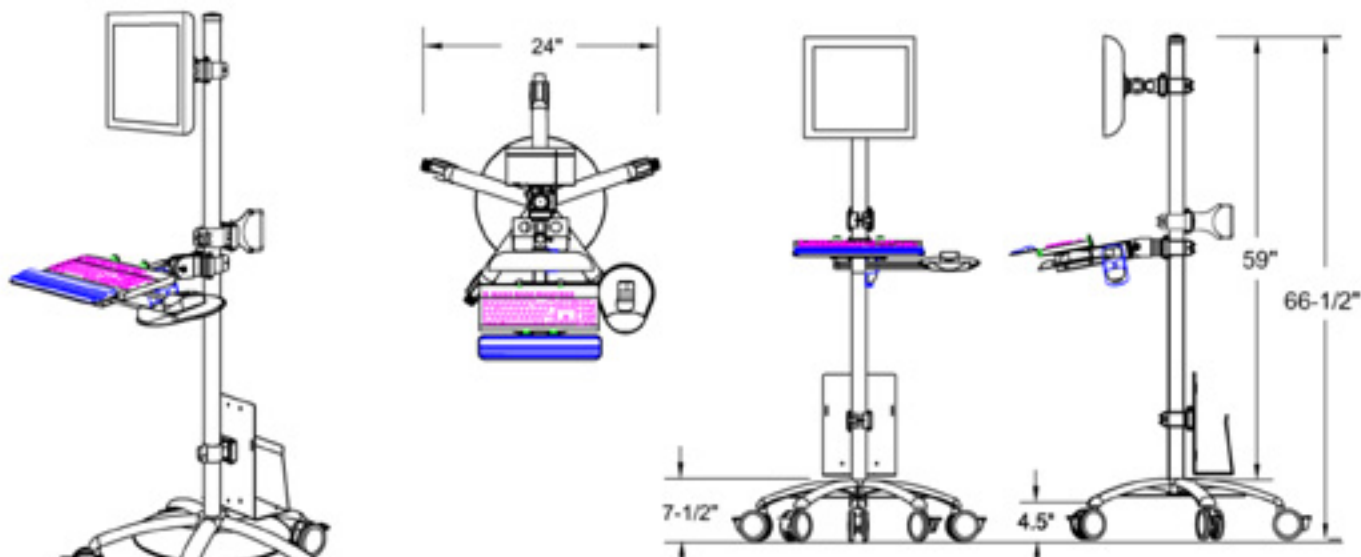


Item #	Illustration	Part Number & Description	Qty.
1		94-00142-000 60" Post with Tapered End	1
2	 <i>Includes hardware</i>	LA-17NQ 15-00049-17O Flat Panel Post Mount <i>Includes 100mm plate</i>	1
3		KA-01A-NQ 15-00051-000 Keyboard/Mouse Holder	1
4		94-00127-004 Base with 3 Lockable Casters	1
5		15-00202-019 Circular Base Stabilizer	1
6		83-28001-019 M8 x 45mm Socket Head	1
7	 <i>Includes hardware</i>	15-00202-000 Adjustable CPU Holder	1
8		15-00220-024 Easy Mount Cart Handle	1



Details on above assemblies are included with each shipment. To view or print from web, see Option Pages



UNLESS OTHERWISE SPECIFIED
 DIMENSIONS ARE IN INCHES
 TOLERANCES
 2 PL DECIMALS ± .01
 3 PL DECIMALS ± .005

NEXT ASS'Y:

DATE:

hergo