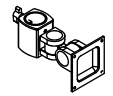

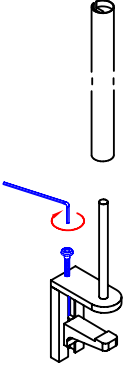
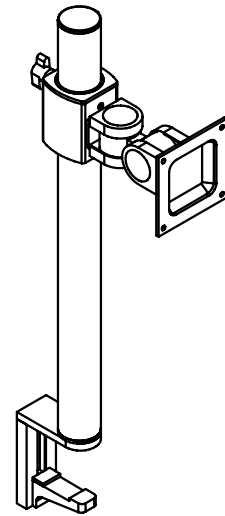
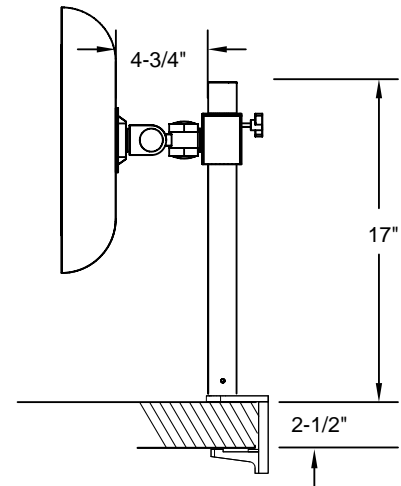
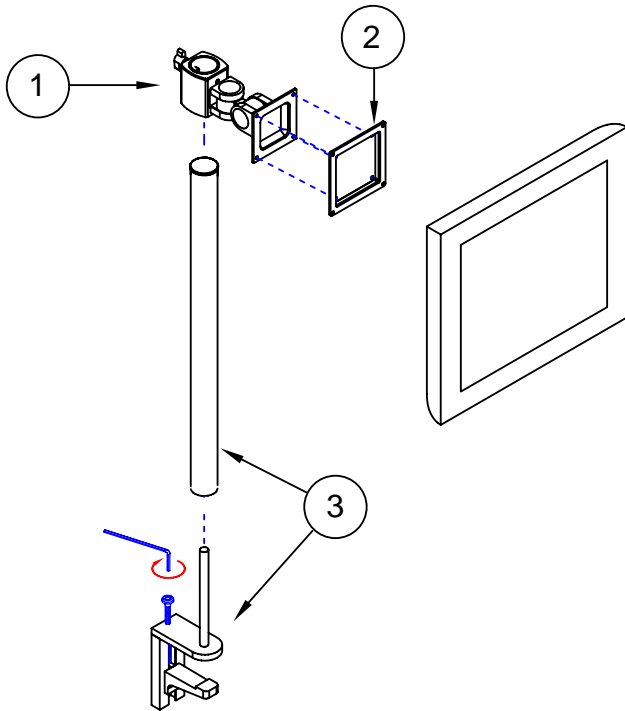


Item #	Illustration	Part Number & Description	Qty.
1		LA-17Q 15-00049-17Q Flat Panel Post Mount	1
2		15-00090-100 100 mm Mounting Plate	1
3		PA-01P 15-00050-017 17" High Post with Clamp and Hardware	1



Assembly View



INCLUDES HARDWARE AND TOOLS
 AS SHOWN ABOVE

UNLESS OTHERWISE SPECIFIED
 DIMENSIONS ARE IN INCHES
 TOLERANCES
 2 PL DECIMALS ± .01
 3 PL DECIMALS ± .005

NEXT ASS'Y:

DATE: