

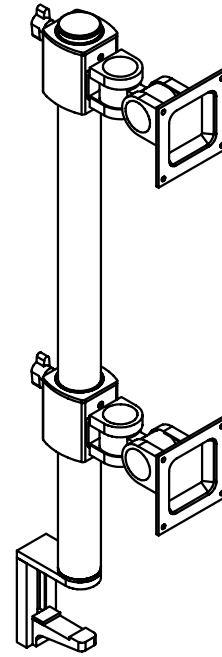


56-01 55TH AVENUE
 MASPETH, NY 11378
 888.222.7270
 www.hergo.com

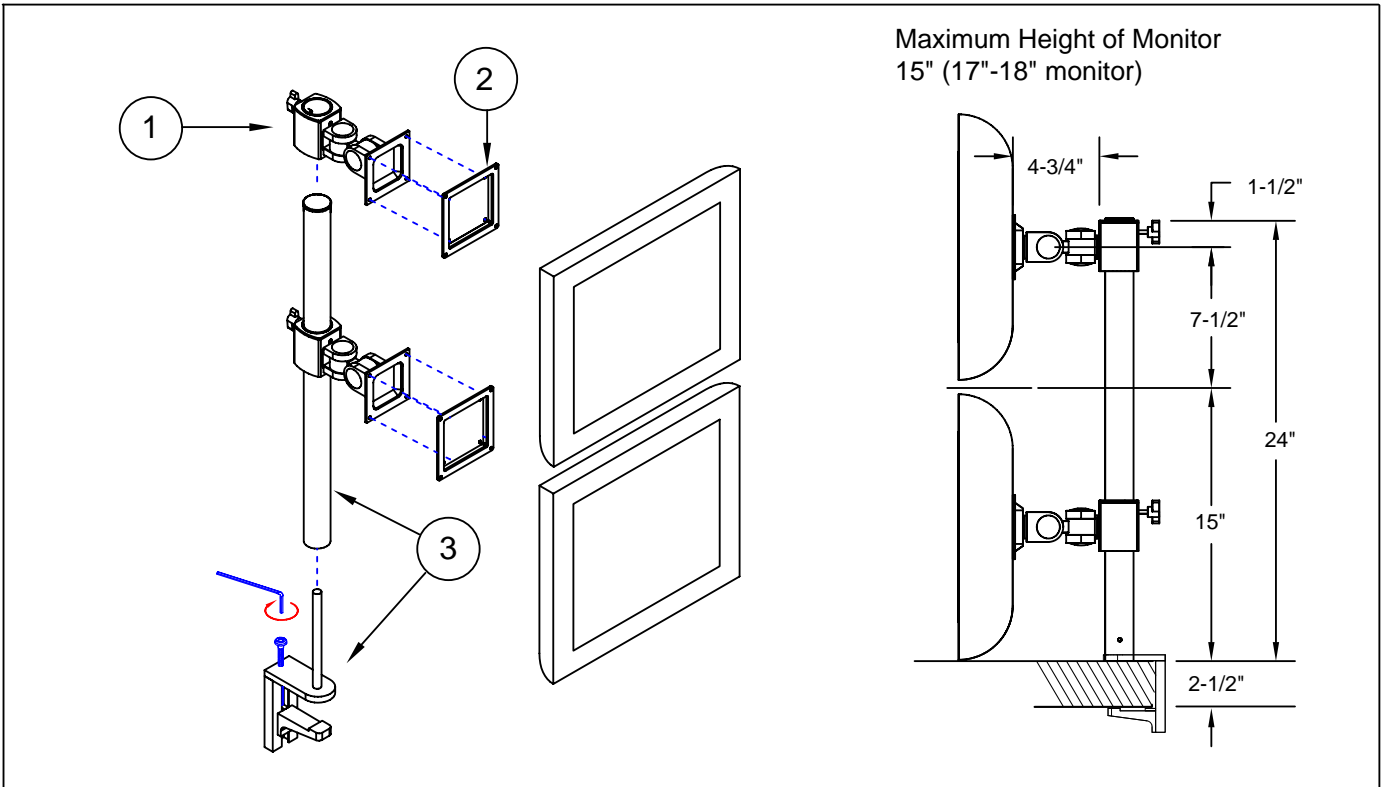
**24" Desk Mount Flat Panel
 Monitor Post with 2 LCD Mounts**

95-00146-102

Item #	Illustration	Part Number & Description	Qty.
1		LA-17Q 15-00049-17Q Flat Panel Post Mount	2
2		15-00090-100 100 mm Mounting Plate	2
3		PA-02P 15-00050-024 24" High Post with Clamp and Hardware	1



Assembly View



INCLUDES HARDWARE AND TOOLS
 AS SHOWN ABOVE

UNLESS OTHERWISE SPECIFIED
 DIMENSIONS ARE IN INCHES
 TOLERANCES
 2 PL DECIMALS ± .01
 3 PL DECIMALS ± .005

NEXT ASS'Y:

DATE:

