




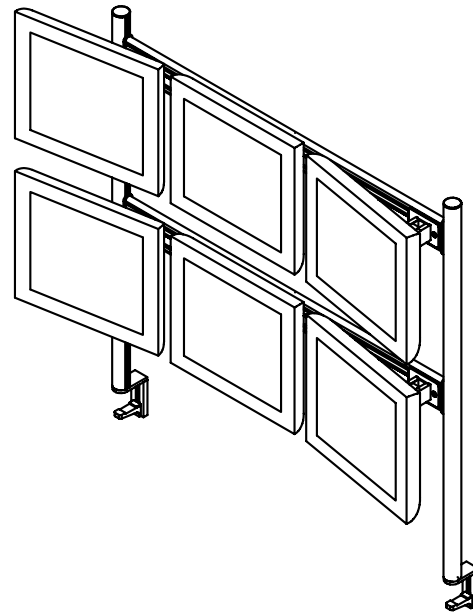
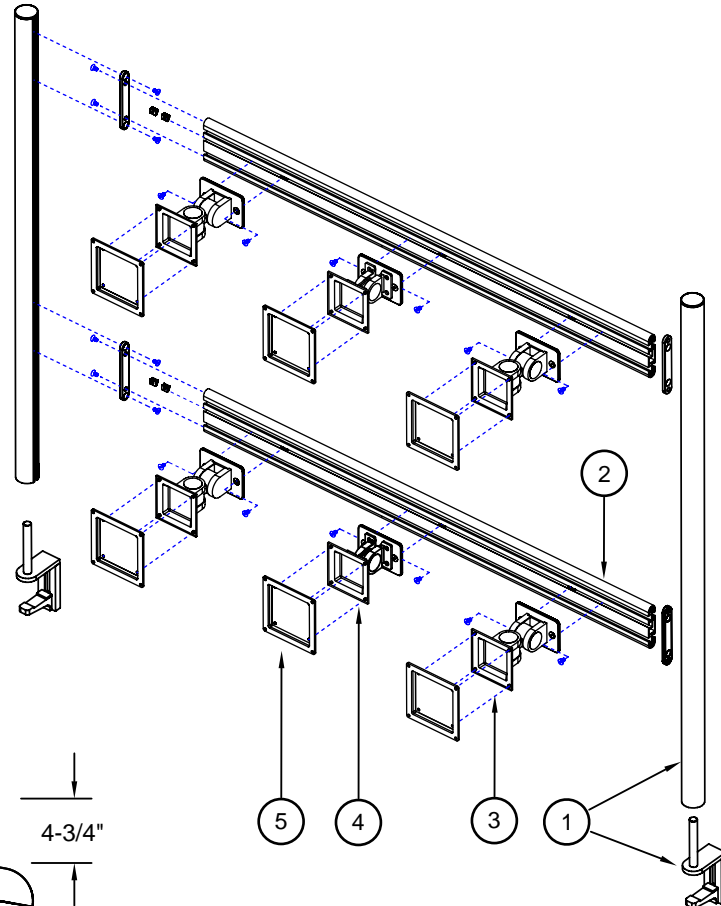
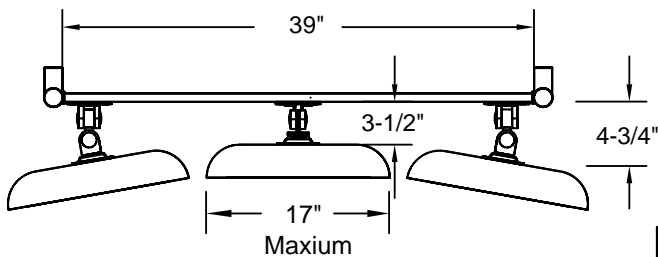
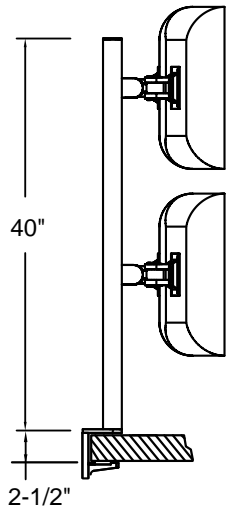


Item #	Illustration	Part Number	Qty.
1		15-00100-040 40" High Post With Clamp	2
2	 <i>Includes hardware</i>	PA-01T-39 15-HE501-039 Flat Panel Display Track 39"	2
3	 <i>Includes hardware</i>	LA-17P 15-00048-17P Flat Panel Monitor Mount	4
4	 <i>Includes hardware</i>	LA-16 + LA-17PL 15-00044-16P Flat Panel Monitor Mount	2
5	 <i>Includes hardware</i>	100-MM-PLATE 15-00090-100 100 mm Mounting Plate	6



Assembly View



UNLESS OTHERWISE SPECIFIED
 DIMENSIONS ARE IN INCHES
 TOLERANCES
 2 PL DECIMALS ± .01
 3 PL DECIMALS ± .005

NEXT ASS'Y:

DATE: