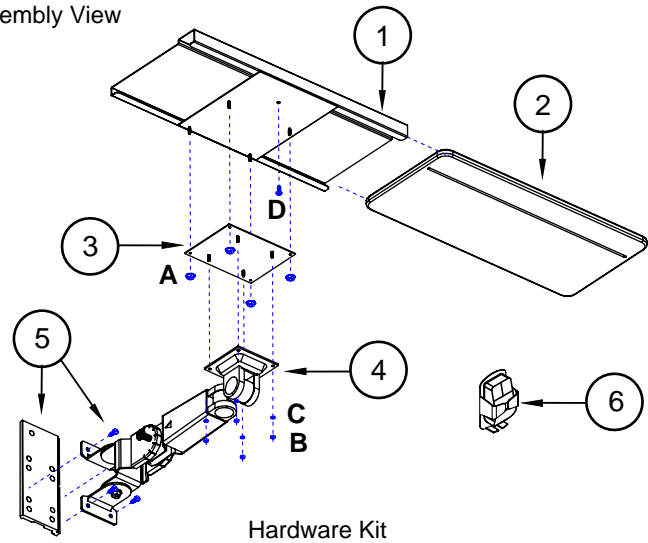


Keyboard / MouseTray Assembly			
Item #	Illustration	Part Number & Description	Qty.
1		<b>83-02000-200</b> Keyboard Tray	1
2		<b>83-02000-230</b> Mouse Tray Laminated Wood	1
3		<b>83-02000-235</b> Adapter Plate for KB Tray	1
4		<b>LA-12</b> 15-00036-L12 Keyboard Arm	1
5		<b>LA-251SP</b> 15-00052-034 Track Plate for KB Arm (Includes 4 Screws)	1
6		<b>MH-008</b> 15-00220-025 Mouse Holder	1

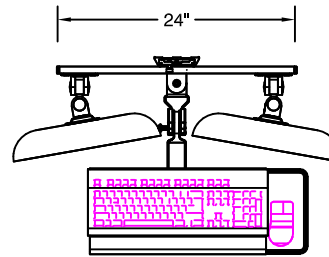
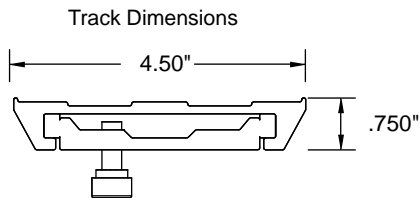
Assembly View



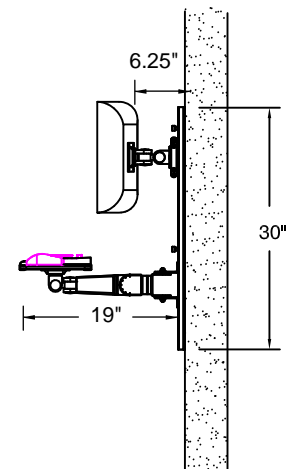
Hardware Kit

<b>A</b>	<b>B</b>	<b>C</b>	<b>D</b>
10-32 Locking Nut (83-28002-010)	6-32 Hex Nut (83-28002-060)	# 8 Split Washer (83-28004-015)	10-32 x 1/2 Phil HD. Screw (83-28001-037)
Qty. 4	4	4	1

7		15-00054-050 Duo Command Wall Mount Track  (See page 2 for assembly)	1
8		<b>LA-251</b> 15-00052-032 Wall Mount Track with LCD Mounting Plate  (See page 2 for assembly)  <i>Includes hardware</i>	1





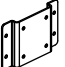

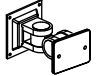

Side Elevation



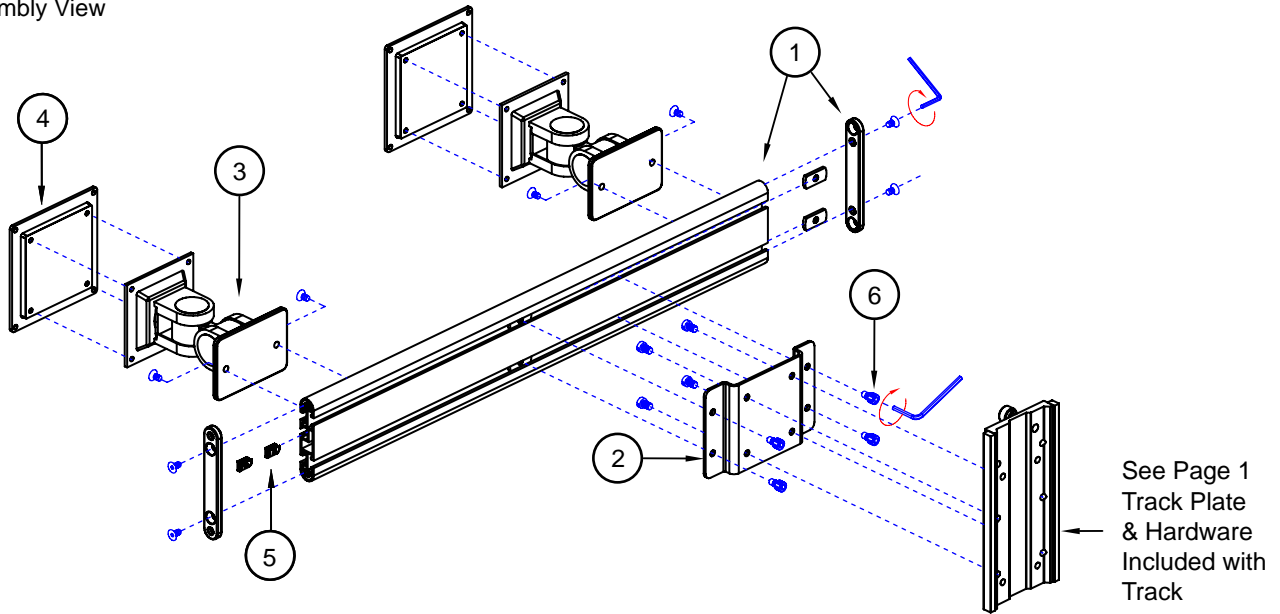
UNLESS OTHERWISE SPECIFIED  
 DIMENSIONS ARE IN INCHES  
 TOLERANCES  
 2 PL DECIMALS ± .01  
 3 PL DECIMALS ± .005

NEXT ASS'Y:

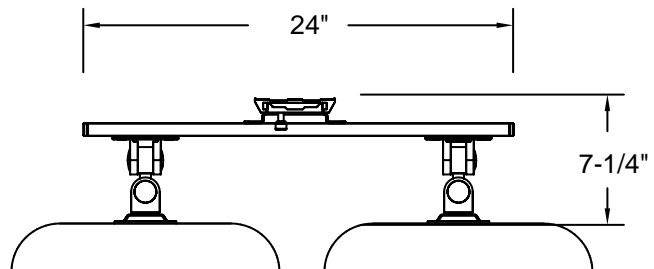
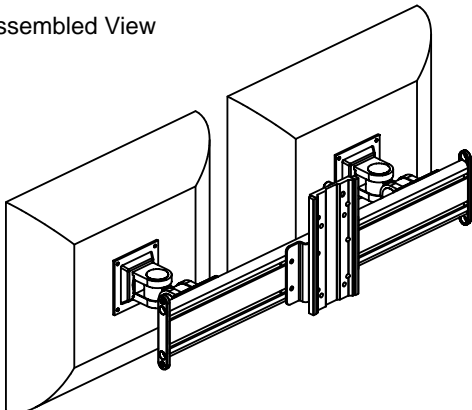
Configuration 95-00148-101  
 DATE: 04/06/06

Item #	Illustration	Part Number	Qty.	Item #	Illustration	Part Number	Qty.
1	 <i>Includes hardware</i>	<b>PA-01T-24</b> 15-HE501-024 Flat Panel Display Track 24"	1	4		<b>100mm Plate</b> 15-00090-100 100mm Mounting Plate	2
2		15-00090-080 Adapter for Connection of Vertical and Horizontal Tracks	1	5		83-28002-097 Weld Nut 1/4-20 Thread	4
3	 <i>Includes hardware</i>	<b>LA-17P</b> 15-00048-17P Flat Panel Monitor Mount	2	6		83-28001-140 1/4-20 x 3/8" Socket Head Cap Screw, Black	4

Assembly View



Assembled View



UNLESS OTHERWISE SPECIFIED  
 DIMENSIONS ARE IN INCHES  
 TOLERANCES  
 2 PL DECIMALS ± .01  
 3 PL DECIMALS ± .005

NEXT ASS'Y:

DATE: