


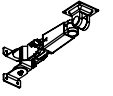
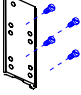

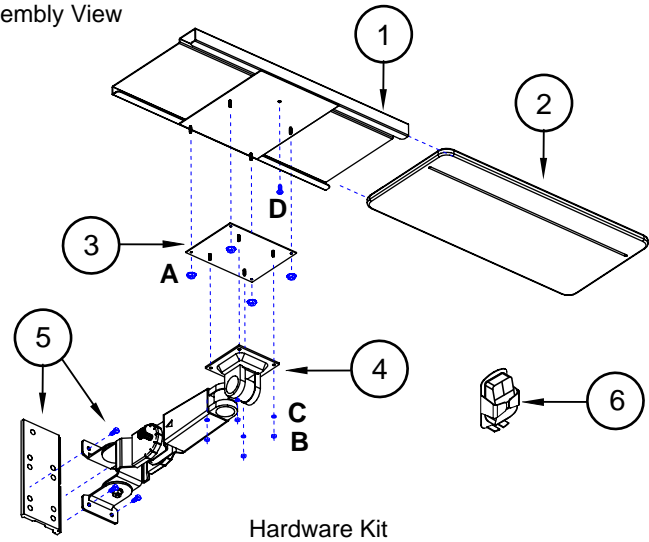






Keyboard / MouseTray Assembly			
Item #	Illustration	Part Number & Description	Qty.
1		<b>83-02000-200</b> Keyboard Tray	1
2		<b>83-02000-230</b> Mouse Tray Laminated Wood	1
3		<b>83-02000-235</b> Adapter Plate for KB Tray	1
4		<b>LA-12</b> 15-00036-L12 Keyboard Arm	1
5		<b>LA-251SP</b> 15-00052-034 Track Plate for KB Arm (Includes 4 Screws)	1
6		<b>MH-008</b> 15-00220-025 Mouse Holder	1


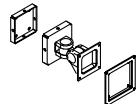
Assembly View

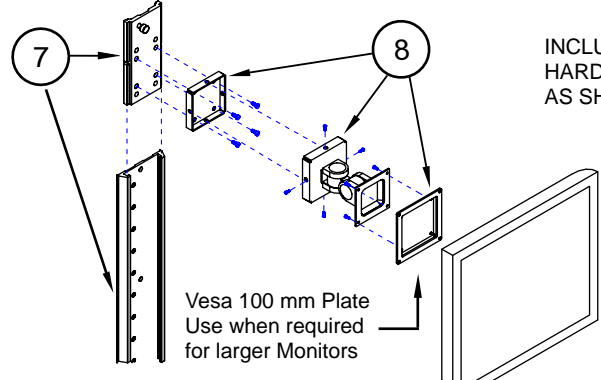


Hardware Kit

<b>A</b> 	<b>B</b> 	<b>C</b> 	<b>D</b> 
10-32 Locking Nut (83-28002-010)	6-32 Hex Nut (83-28002-060)	# 8 Split Washer (83-28004-015)	10-32 x 1/2 Phil HD. Screw (83-28001-037)
Qty. 4	4	4	1

LCD Assembly

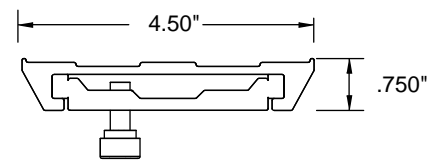
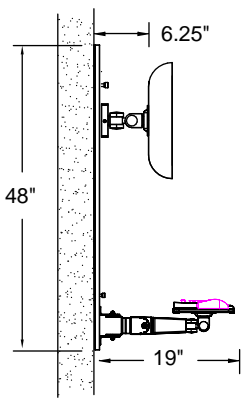
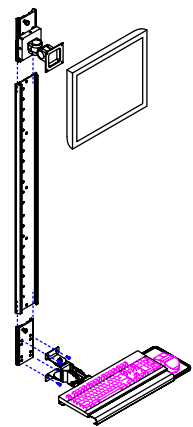
7		<b>LA-248</b> 15-00054-032 Wall Mount Track with LCD Mounting Plate	1
8		<b>LA-17</b> 15-00048-L17 LCD Mount <i>Includes 100mm Plate</i>	1



Assembly View

Side Elevation

Track Dimensions



UNLESS OTHERWISE SPECIFIED  
 DIMENSIONS ARE IN INCHES  
 TOLERANCES  
 2 PL DECIMALS ± .01  
 3 PL DECIMALS ± .005

**NEXT ASS'Y:**  
 Configuration 95-00148-101  
 DATE: 04/06/06