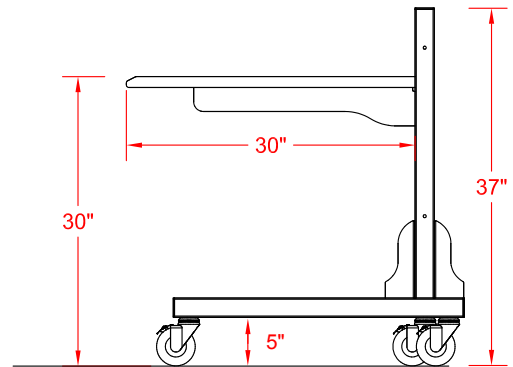
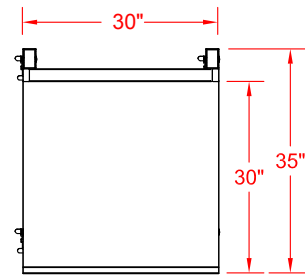
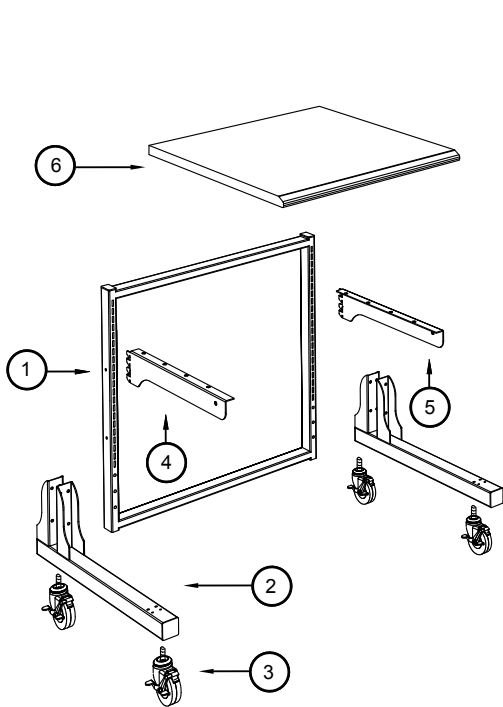




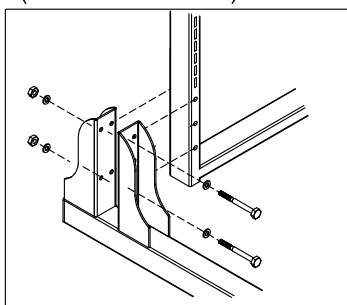
56-01 55TH AVENUE
 MASPETH, NY 11378
 888.222.7270
 www.hergo.com

PACS Workstation
37"H x 30"W
95-21PAC-030

Item #	Illustration	Part Number	Qty.	Item #	Illustration	Part Number	Qty.
1		10-00030-300 Frame 30"H x 30"W	1	4		13-00810-000 Desktop Bracket Left	1
2		11-00010-000 Leg 2" x 2" x 30"	2	5		13-00812-000 Desktop Bracket Right	1
3		28-00016-000 Caster 4"H Lockable	4	6		13-00030-360 Desktop 30" W x 30"D	1



Standard Leg Assembly
 (2-3/4" Hex HD Bolts)



Desktop Brackets
 (3/4" Wood Screws)

