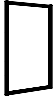

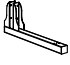



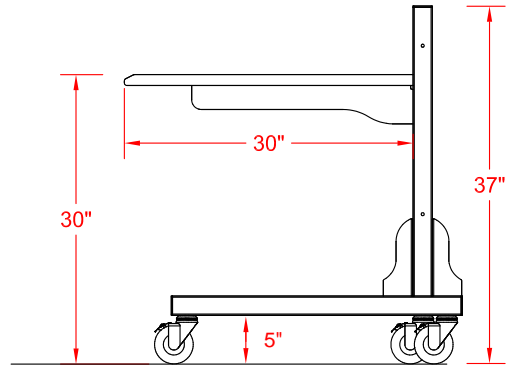
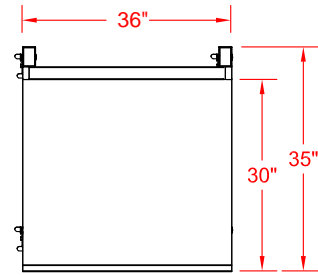
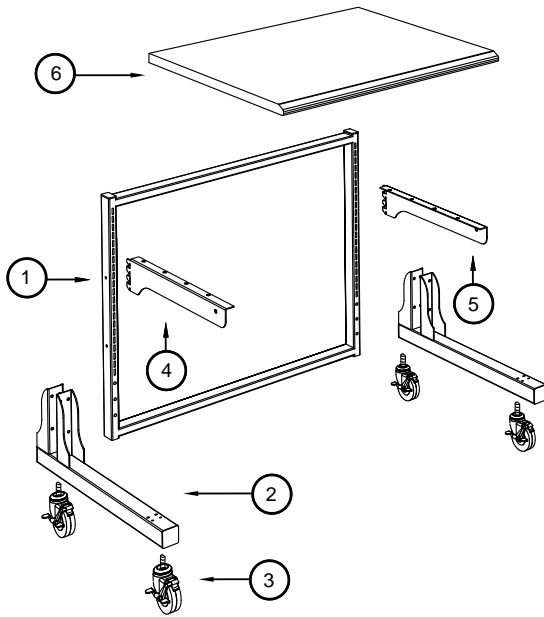
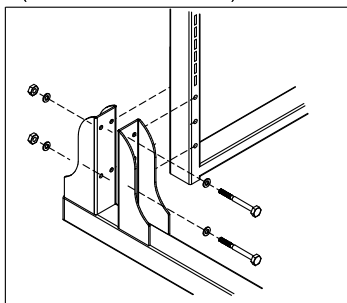


Item #	Illustration	Part Number	Qty.	Item #	Illustration	Part Number	Qty.
1		<b>10-00030-360</b> Frame 30"H x 36"W	1	4		<b>13-00810-000</b> Desktop Bracket Left	1
2		<b>11-00010-000</b> Leg 2" x 2" x 30"	2	5		<b>13-00812-000</b> Desktop Bracket Right	1
3		<b>28-00016-000</b> Caster 4"H Lockable	4	6		<b>13-00030-360</b> Desktop 36" W x 30"D	1



**Standard Leg Assembly**  
 (2-3/4" Hex HD Bolts)



**Desktop Brackets**  
 (3/4" Wood Screws)

