
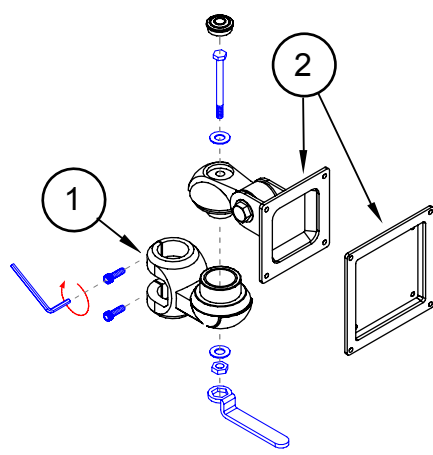
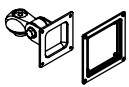


Item #	Illustration	Part Number & Description	QTY,	Assembly View
1		LA-514 15-HE514-000 Post Connection Mount	1	 <p data-bbox="734 1028 1420 1066">INCLUDES HARDWARE AND TOOLS AS SHOWN ABOVE</p>
2		LA-511 15-HE511-000 Universal Joint LCD Mount Includes 100mm Mounting Plate (15-00090-100)	1	

