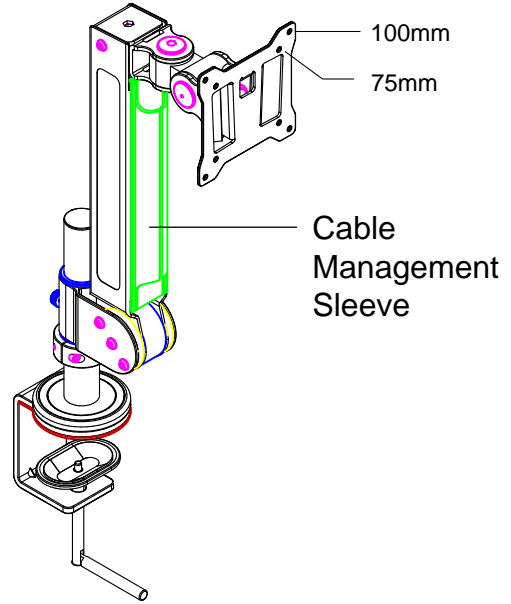
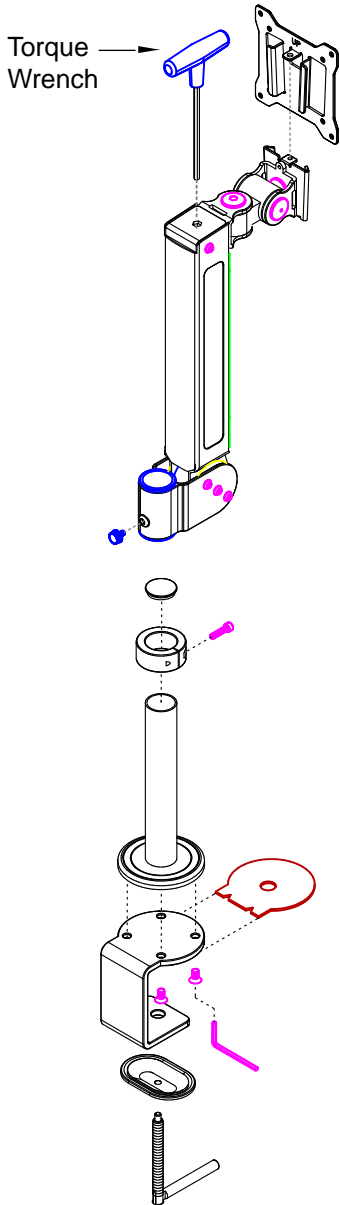


**Assembly View**

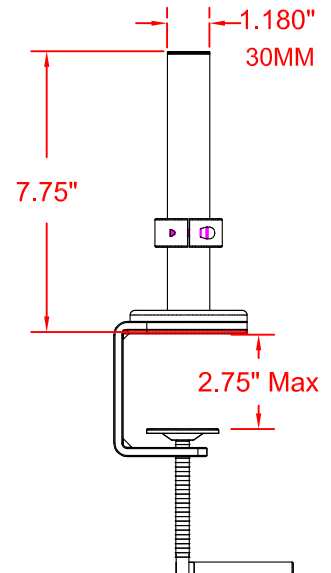
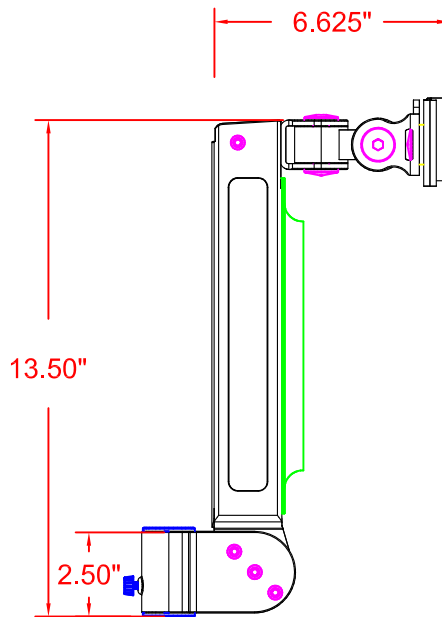
**Note:**

Torque Wrench Supplied.  
 Turn clockwise to increase tension for heavy weight monitors.  
 Turn counter clockwise to reduce tension for light weight monitors.



**PN 15-00034-AL0**  
 Main Body Arm

**PN 15-00034-AL1**  
 Desk Clamp



UNLESS OTHERWISE SPECIFIED  
 DIMENSIONS ARE IN INCHES  
 TOLERANCES  
 2 PL DECIMALS ± .01  
 3 PL DECIMALS ± .005

NEXT ASS'Y:

DATE: 12/06/12