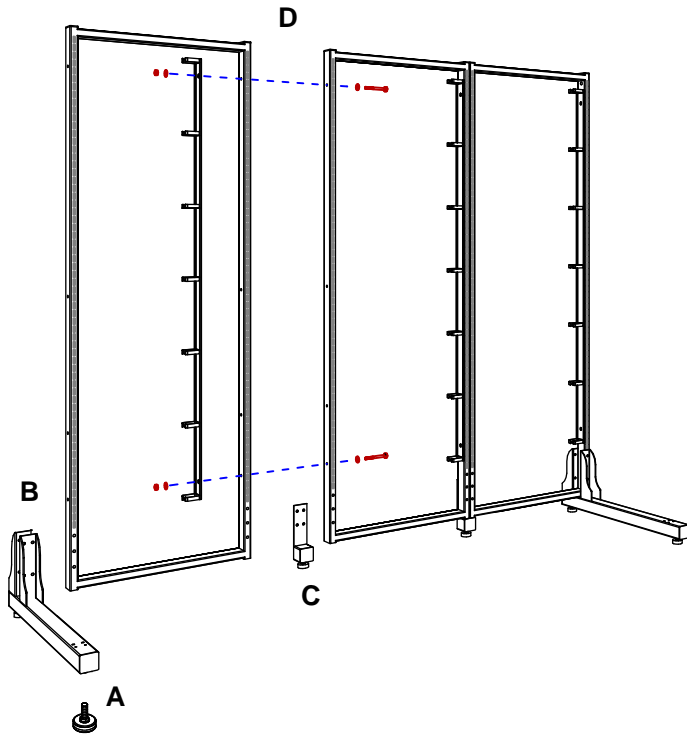
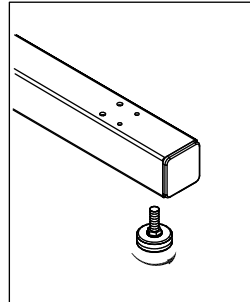


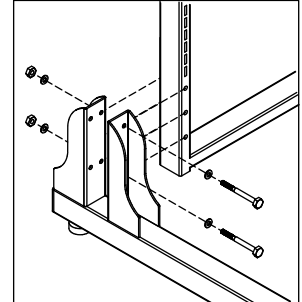
Step 1 Attaching Frames, Legs and Cable Raceway



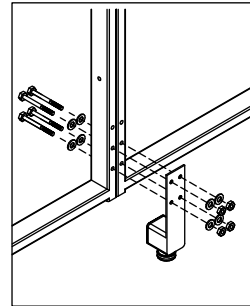
A Attach Gliders to Legs



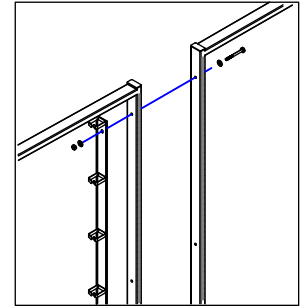
B Attach Legs to Outer Frames
 (2) Hex Bolts 2-3/4"L



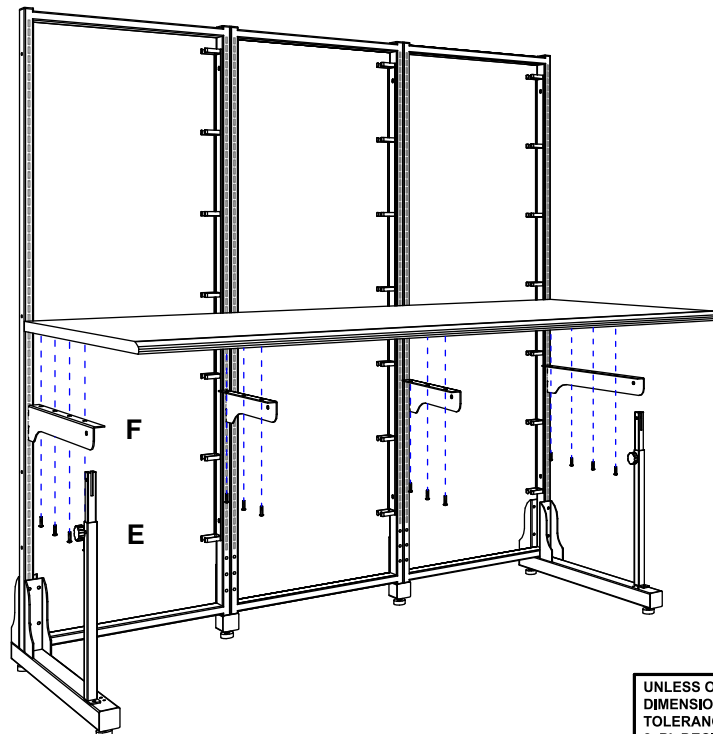
C Attach Center Support Legs



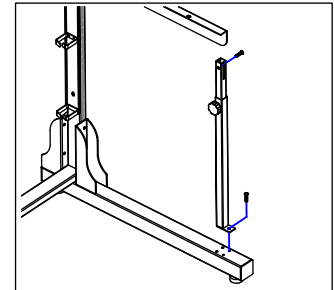
D Joining Frames & Cable Raceway
 (2) Hex Bolts 2-1/2"L



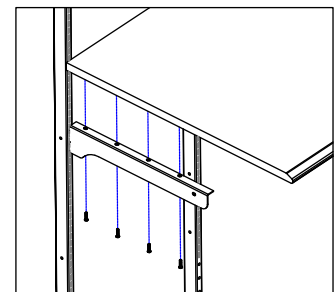
Step 2 Attaching Desktop & Telescopic Upright Supports



E Attach the Telescopic Upright Supports



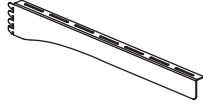
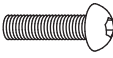
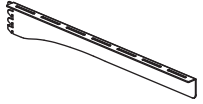

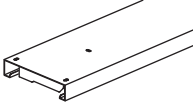

F Attach the Desktop to the Desktop Brackets



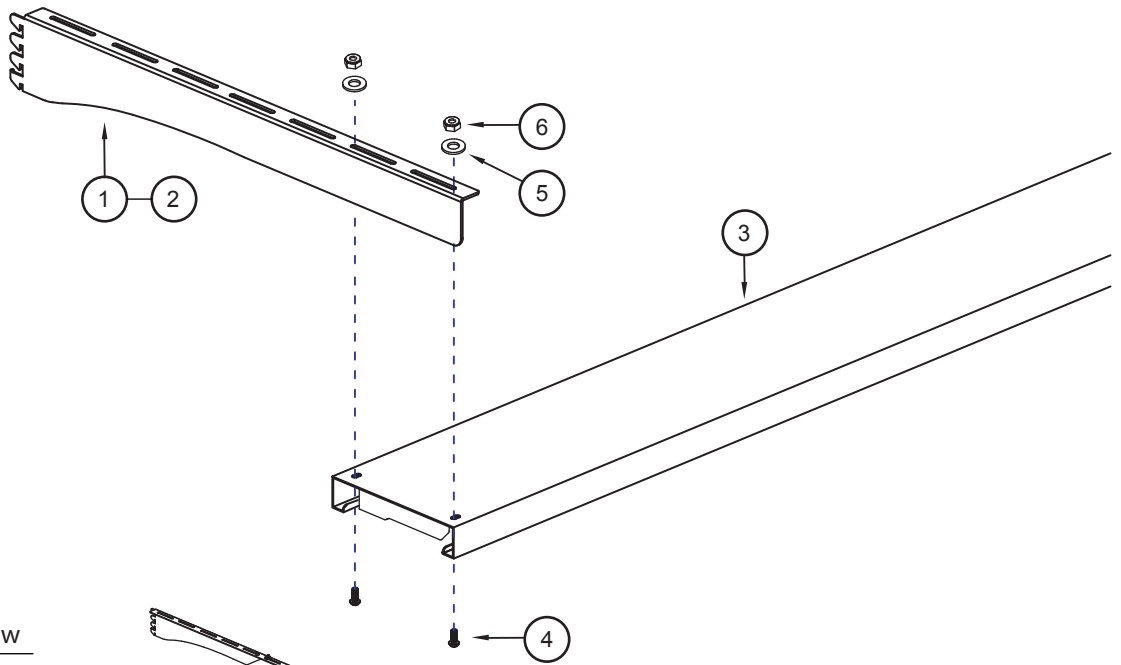
UNLESS OTHERWISE SPECIFIED
 DIMENSIONS ARE IN INCHES
 TOLERANCES
 2 PL DECIMALS ± .01
 3 PL DECIMALS ± .005

NEXT ASS'Y:

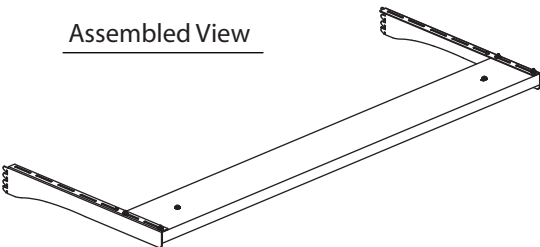
DATE: 08/14/08

Item #	Illustration	Part Number & Description	QTY,	Item #	Illustration	Part Number & Description	QTY,
1		83-04000-117 Overhead Support Bracket Left	1	4		83-28001-160 1/4-20 x 3/4' Button Hd.	4
2		83-04000-118 Overhead Support Bracket Right	1	5		83-28004-005 1/4" Washer	4
3		23-10000-008 Light Channel Assembly	1	6		83-28002-040 1/4-20 Nut with Nylon insert	4

Exploded View



Assembled View



UNLESS OTHERWISE SPECIFIED
 DIMENSIONS ARE IN INCHES
 TOLERANCES
 2 PL DECIMALS ± .01
 3 PL DECIMALS ± .005

NEXT ASS'Y:

 DATE: 08/14/08

