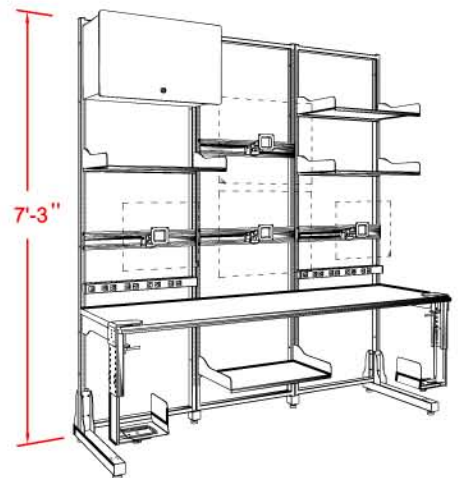
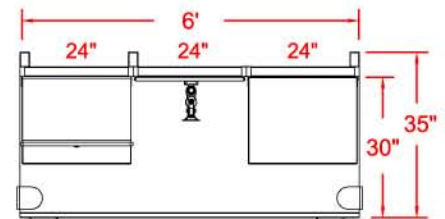
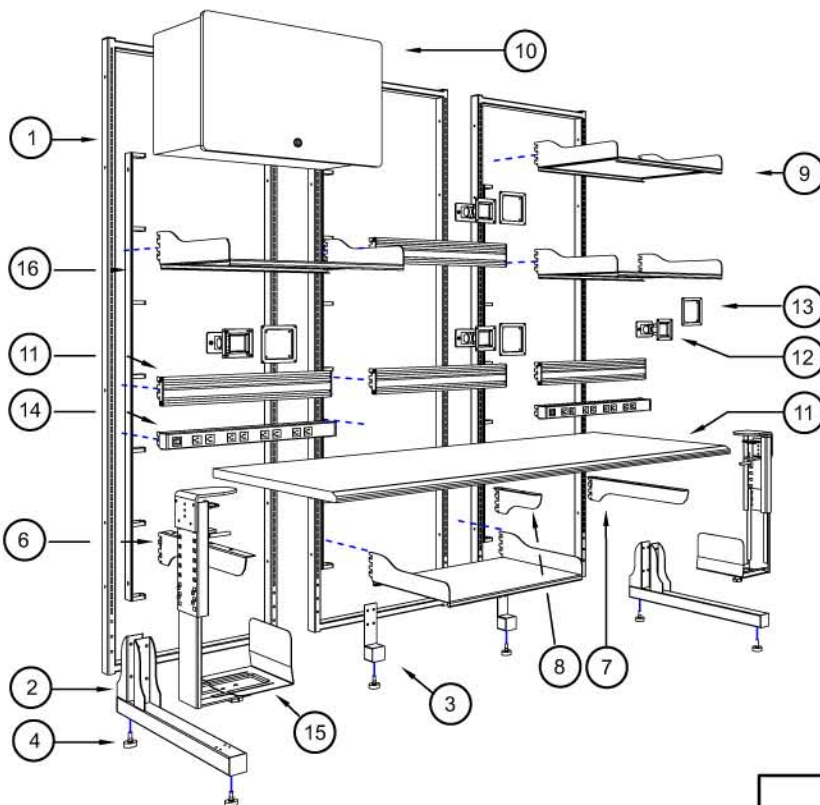


Item #	Illustration	Part Number	Qty.
1		10-00084-240 Frame 84"H x 24"W	3
2		11-00010-000 Leg 2" x 2" x 30"	2
3		11-00018-000 Center Support Leg	2
4		28-00110-000 Glider	6
5		13-00030-720 Desktop 72"W x 30"D	1
6		13-00810-000 Desktop Bracket Left	1
7		13-00812-000 Desktop Bracket Right	1
8		13-00820-000 Desktop Bracket Center	1

Item #	Illustration	Part Number	Qty.
9		14-00024-000 Mounting Shelf 24"W x 18.5"D	4
10		16-00024-000 Storage Compartment	1
11		15-HE501-224 24"W Track w/Brackets	4
12		LA-17P 15-00048-17P Monitor Track Mount Arm	4
13		100 MM PLATE 15-00090-100 LCD 100mm Plate Adaptor	4
14		46-00050-624 8 Port Power Strip, 15' Cord	2
15		99-00140-015 Desk Mount CPU Holder	2
16		38-00060-000 Vertical Cable Raceway 60"L for 72" & 84" Frames	3



NEXT ASS'Y:	hergo