

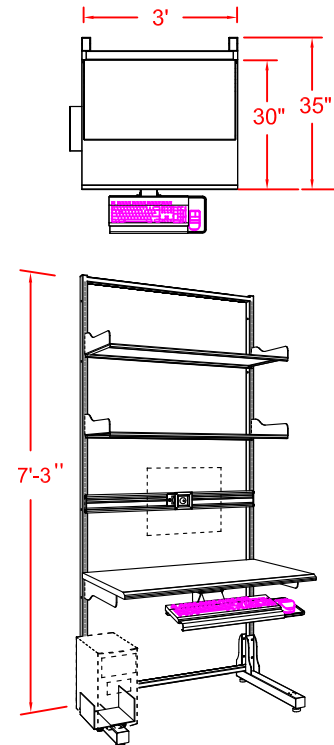
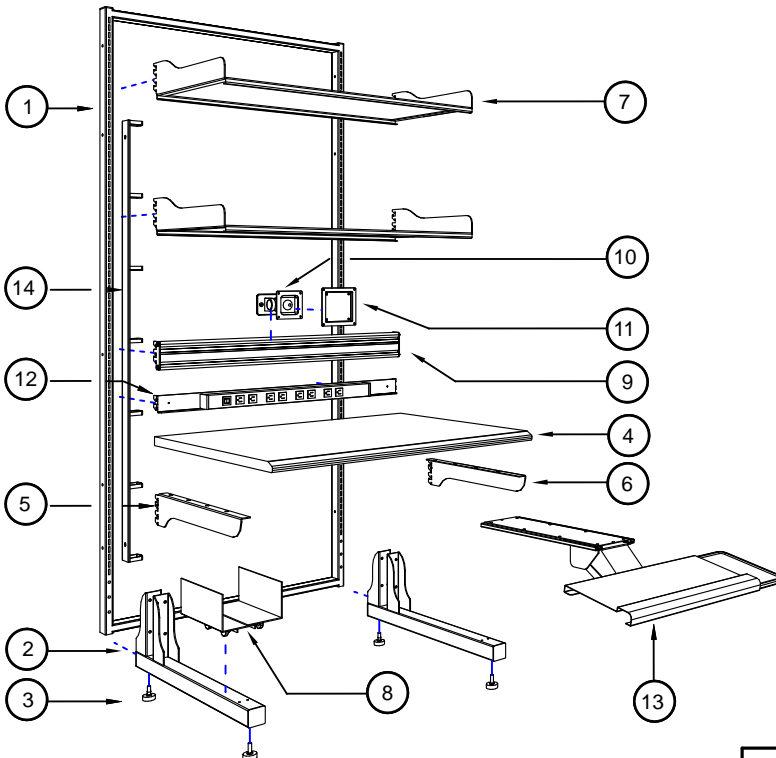


56-01 55TH AVENUE
 MASPETH, NY 11378
 888.222.7270
 www.hergo.com

Single Frame Workstation
84"H x 36"W
95-UNI84-360

Item #	Illustration	Part Number	Qty.
1		10-00084-360 Frame 84"H x 36"W	1
2		11-00010-000 Leg 2" x 2" x 30"	2
3		28-00110-000 Glider	4
4		13-00030-360 Desktop 36"W x 30"D	1
5		13-00810-000 Desktop Bracket Left	1
6		13-00812-000 Desktop Bracket Right	1
7		14-00036-000 Mounting Shelf 36"W x 18.5"D	2

Item #	Illustration	Part Number	Qty.
8		14-00830-000 CPU Cradle Leg Mounted	1
9		15-HE501-236 36" W Track w/Brackets	1
10		LA-17P 15-00048-17P Monitor Track Mount Arm	1
11		100 MM PLATE 15-00090-100 LCD 100mm Plate Adapter	1
12		46-00058-836 8 Port Power Strip, 15' Cord	1
13		25-00110-000 Under Desk Keyboard Tray with Mouse Plate	1
14		38-00060-000 Vertical Cable Raceway 60"L for 72" & 84" Frames	1



	NEXT ASS'Y:	hergo
	DATE:	