

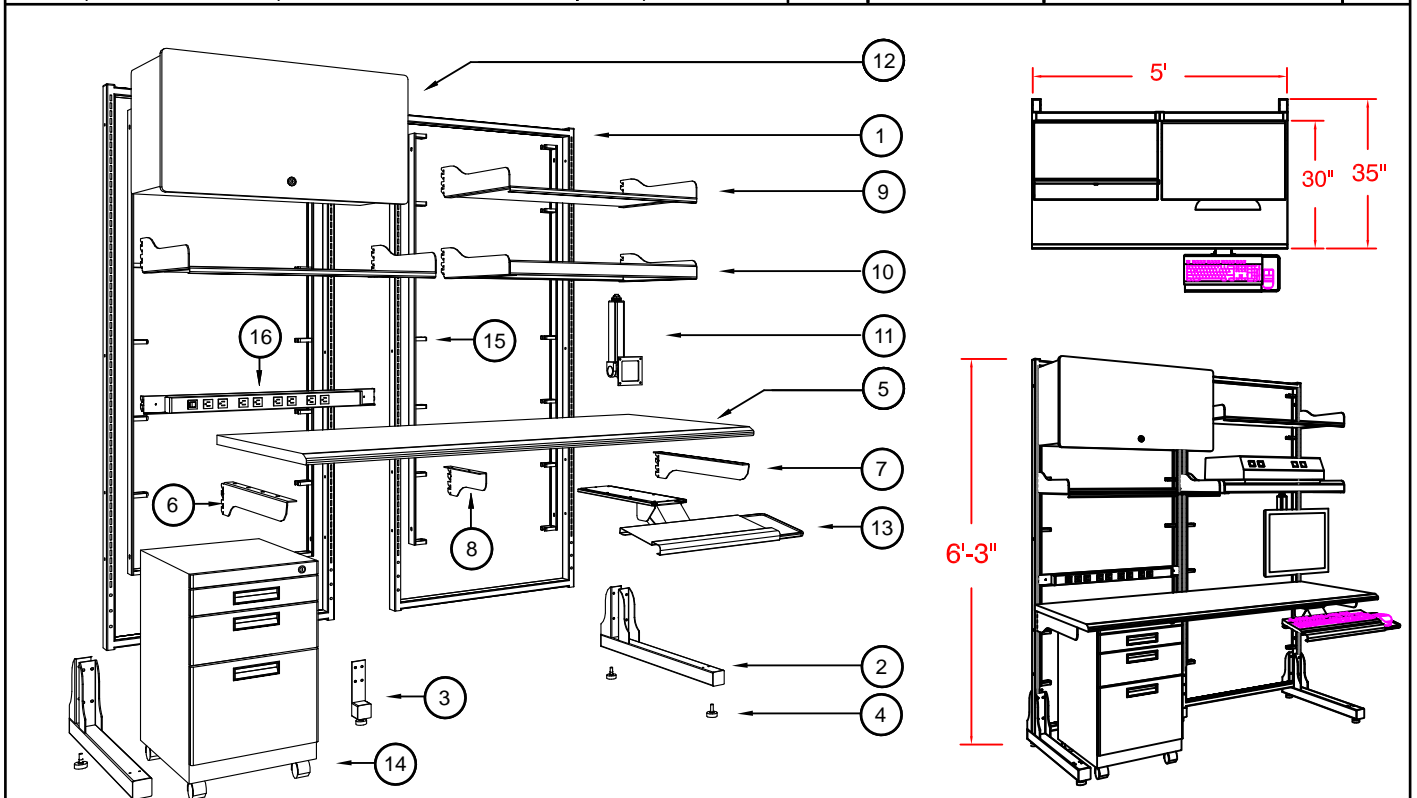


56-01 55TH AVENUE  
 MASPETH, NY 11378  
 888.222.7270  
 www.hergo.com

**Open Racking System VENICE**  
**95-VENIC-E00**

Item #	Illustration	Part Number	Qty.
1		<b>10-00072-300</b> Frame 72"H x 30"W	2
2		<b>11-00010-000</b> Leg 2" x 2" x 30"	2
3		<b>11-00018-000</b> Center Support Leg	1
4		<b>28-00110-000</b> Glider	5
5		<b>13-00030-600</b> Desktop 60"W x 30"D	1
6		<b>13-00810-000</b> Desktop Bracket Left	1
7		<b>13-00812-000</b> Desktop Bracket Right	1
8		<b>13-00820-000</b> Desktop Bracket Center	1
9		<b>14-00030-000</b> Mounting Shelf 30"W x 18.5"D	2

Item #	Illustration	Part Number	Qty.
10		<b>14-00230-000</b> 30" Monitor Track Shelf	1
11		<b>14-00300-003</b> LCD Suspension Arm	1
12		<b>16-00030-000</b> Storage Compartment	1
13		<b>25-00110-000</b> Under Desk Keyboard Tray with Mouse Plate	1
14		<b>27-00012-000</b> File Cabinet	1
15		<b>38-00060-000</b> Vertical Cable Raceway 60"L for 72" & 84" Frames	4
16		<b>46-00054-630</b> 8 Port Power Strip, 15' Cord	1



NEXT ASS'Y:	<b>hergo</b>
DATE:	