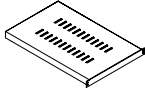


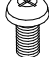



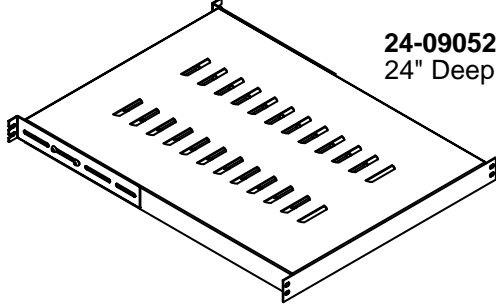


Enclosure Fixed Shelves

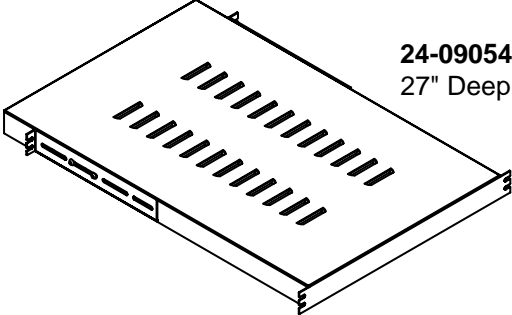
24-09052-000 24" Deep Fixed Shelf

24-09054-000 27" Deep Fixed Shelf

Item #	Illustration	Part Number & Description	Qty.
1		83-02000-040 Plate for 24" Shelf	1
		83-02000-045 Plate for 27" Shelf	
2		83-01000-006 Adjustable Bracket-Fixed Right Shelf 24" and 27"	1
3		83-01000-005 Adjustable Bracket-Fixed Left Shelf 24" and 27"	1
4		83-28001-050 8-32 x 3/8" Phillips Pan Hd. Screw Zinc Plated	4
5		83-28004-010 #8 Flat washer zinc Plated	8
6		83-28004-015 #8 Split washer zinc Plated	4
7		83-28002-014 8-32 Acorn Nut	4

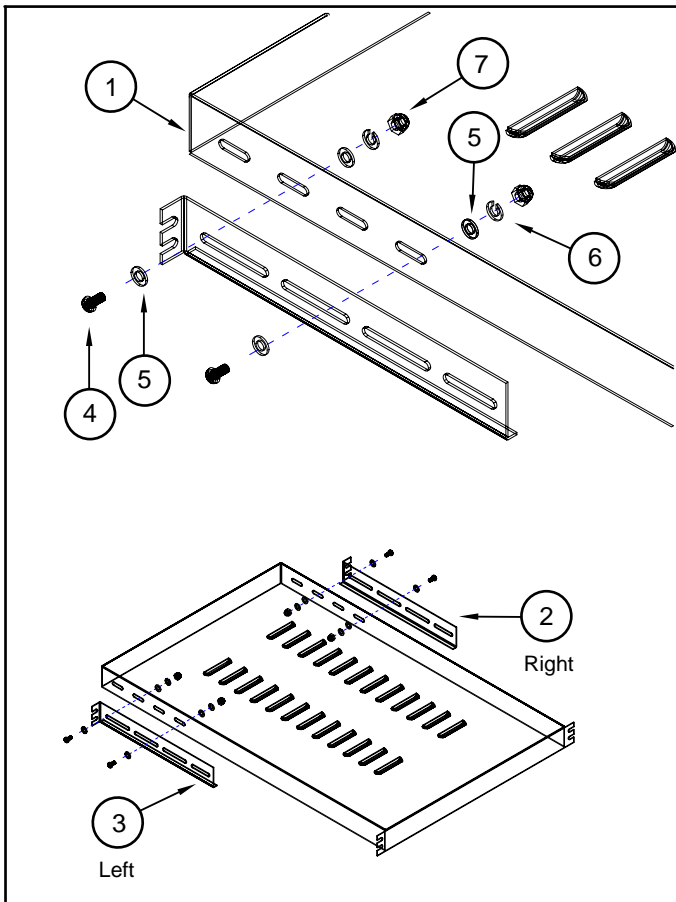


24-09052-000
24" Deep



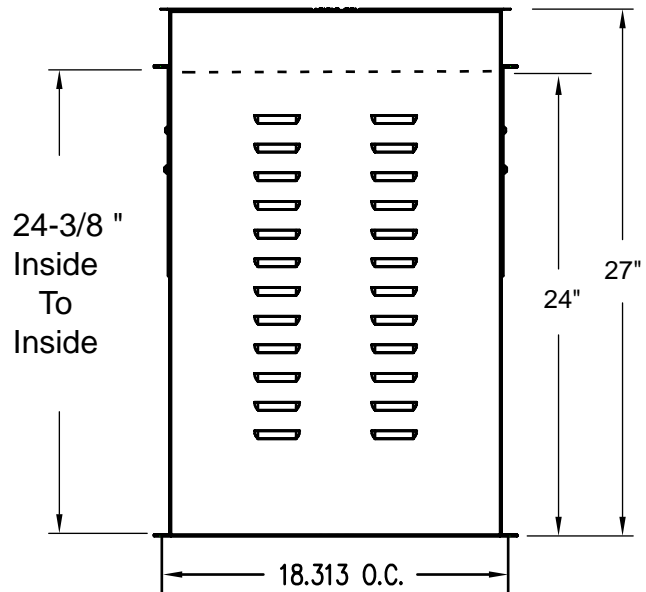
24-09054-000
27" Deep

Assembly View



Important Note:

Adjustable Brackets must be set to 24-3/8" inside to inside to align with enclosure rails



UNLESS OTHERWISE SPECIFIED
 DIMENSIONS ARE IN INCHES
 TOLERANCES
 2 PL DECIMALS ± .01
 3 PL DECIMALS ± .005

NEXT ASS'Y:

DATE: