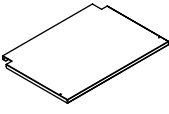



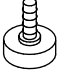
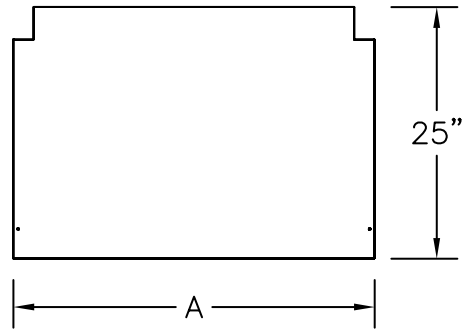


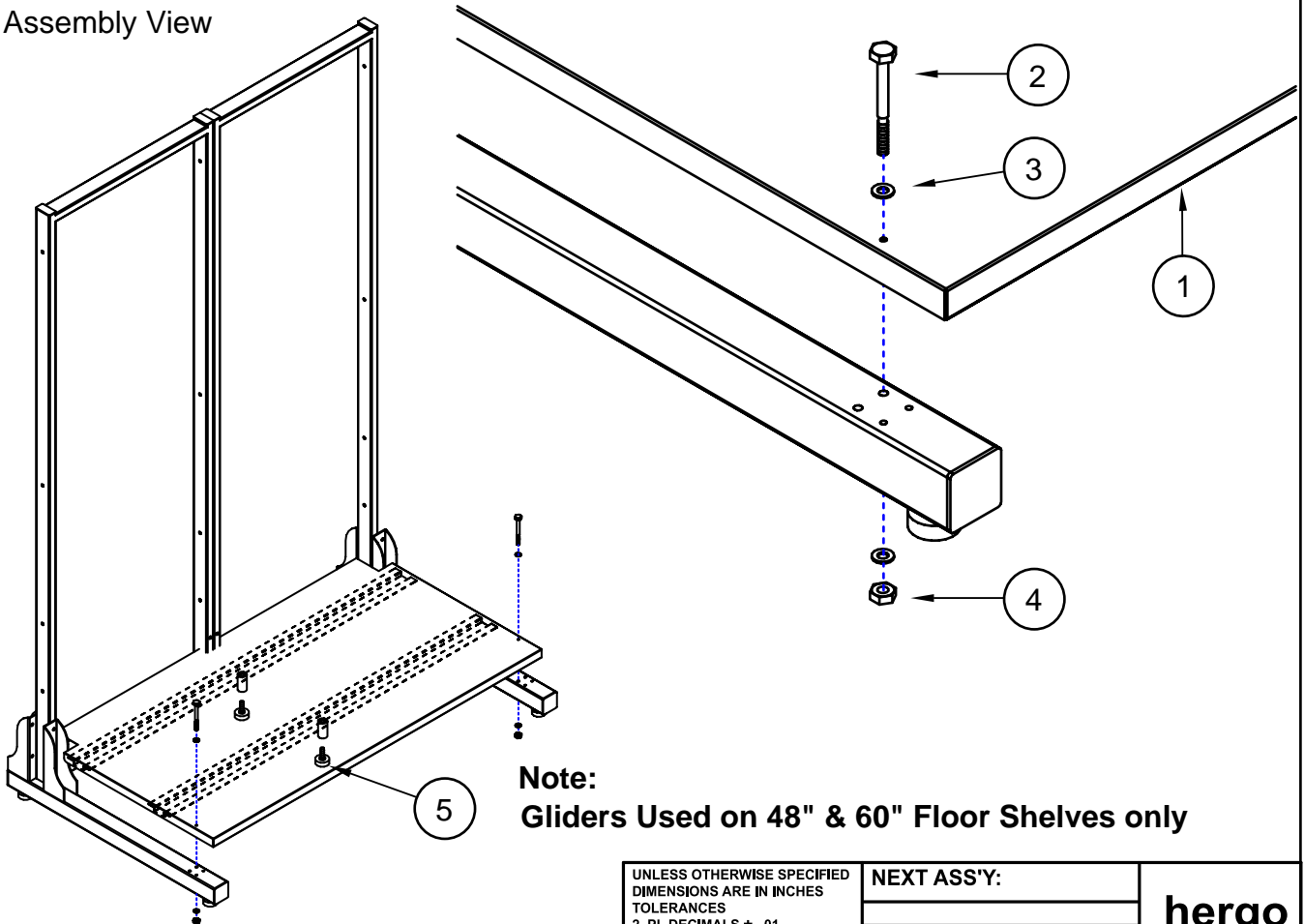
Floor Shelves-Leg Mounted

| Item # | Illustration | Part Number & Description | Qty. |
|--------|---|--|------|
| 1 |  | Size Product Number 24" 82-01427-024 30" 82-01427-030 36" 82-01427-036 48" 82-01427-048 60" 82-01427-060 | 1 |
| 2 |  | 83-28003-008 1/4-20 x 3-1/2" Hex Head Bolt | 2 |
| 3 |  | 83-28004-005 1/4" Washer | 4 |
| 4 |  | 83-28002-040 1/4-20 Nylon Insert Stop Nut | 2 |
| 5 |  | 28-00110-000 Heavy Duty Glider Used on 48" & 60" only | 2 |



| Dim A | Product Number |
|-------|----------------|
| 24" | 14-00520-240 |
| 30" | 14-00520-300 |
| 36" | 14-00520-360 |
| 48" | 14-00520-480 |
| 60" | 14-00520-600 |

Assembly View



Note:
Gliders Used on 48" & 60" Floor Shelves only

UNLESS OTHERWISE SPECIFIED
 DIMENSIONS ARE IN INCHES
 TOLERANCES
 2 PL DECIMALS ± .01
 3 PL DECIMALS ± .005

NEXT ASS'Y:

DATE:

hergo